

FULL LIFT SAFETY VALVE FLANGED END PN40

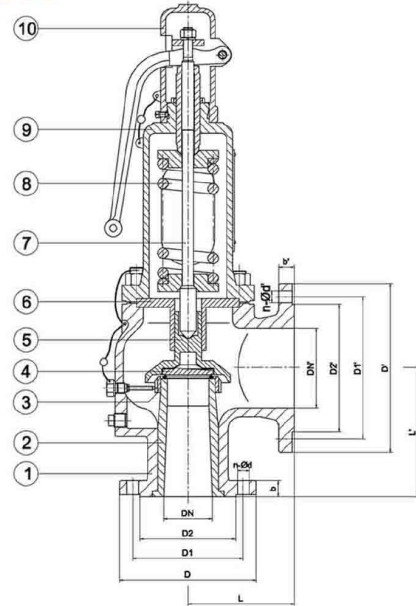
Model : ARV-207FE(D)



Closed Bonnet



Open Bonnet



Specification

Type	With Lever
Working Fluid	Water, Oil, Gas, Steam
Design Standard	DIN 3320
Face to Face Dimension	DIN 3202
Flange Standard	DIN 2543-2545
Test & Inspection	DIN 3230
Shell Test Pressure	6.0 Mpa
Back Seat Test	4.4 Mpa
Working Temperature	-20~350°C

Material

Technical Data

No	PART	MATERIAL
1	BODY	WCB
2	SEAT	2Cr13 + STL
3	ADJUSTING RING	2Cr13
4	DISC	2Cr13
5	DISC HOLDER	2Cr13
6	GUIDER	2Cr13
7	STEM	2Cr13
8	SPRING	50CrVA
9	BONNET	WCB
10	CAP	WCB

Dimension in mm

TYPE	Inlet						Outlet							
	Dn	D	D1	D2	b	n-Ød	Dn	D	D1	D2	b	n-Ød	L	L1
DN20 X DN32	20	105	75	58	18	4-Ø14	32	140	100	78	18	4-Ø18	85	95
DN25 X DN40	25	115	85	68	18	4-Ø14	40	150	110	88	18	4-Ø18	100	105
DN32 X DN50	32	140	100	78	20	4-Ø18	50	165	125	102	20	4-Ø18	110	115
DN40 X DN65	40	150	110	88	21	4-Ø18	65	185	145	122	20	4-Ø18	115	140
DN50 X DN80	50	165	125	102	22	4-Ø18	80	200	160	138	21	8-Ø18	120	150
DN65 X DN100	65	185	145	122	22	8-Ø18	100	220	180	158	22	8-Ø18	140	170
DN80 X DN125	80	200	160	138	24	8-Ø18	125	250	210	188	22	8-Ø18	160	195
DN100 X DN150	100	235	190	162	24	8-Ø22	150	285	240	212	24	8-Ø23	180	220
DN125 X DN200	125	270	220	188	28	8-Ø26	200	340	295	268	26	12-Ø22	200	250
DN150 X DN200	150	300	250	218	30	8-Ø26	200	340	295	268	26	12-Ø22	230	255
DN150 X DN250	150	300	250	218	30	8-Ø26	250	405	355	320	27	12-Ø26	250	285

The contents of this literature are for informative purposes only. Arita is not responsible for suitability or compatibility of these products in relation to system requirement. For specific requirements, consult Arita or its distributors. Arita reserves the right to change or modify product design without prior notice.



UNIMECH GROUP, MALAYSIA



A MEMBER OF UNIMECH GROUP, MALAYSIA

FULL LIFT SAFETY VALVE FLANGED END PN 40

Model : ARV-207FE(D)

Flow Capacities for Steam(KG/H)

	DN20 /32	DN25 /40	DN32 /50	DN40 /65	DN50 /80	DN65 /100	DN80 /125	DN100 /150	DN125 /200	DN150 /250
0.1 MPa	177	277	399	623	1000	1529	2748	3791	6249	9157
0.2 MPa	270	422	608	950	1523	2331	4187	5777	9522	13953
0.3 MPa	363	567	817	1276	2047	3132	5627	7763	12795	18749
0.4 MPa	456	712	1025	1602	2571	3933	7066	9749	16068	23546
0.5 MPa	549	857	1234	1929	3095	4734	8506	11735	19341	28342
0.6 MPa	641	1002	1443	2255	3618	5535	9945	13721	22614	33138
0.7 MPa	734	1147	1652	2582	4142	6336	11385	15707	25887	37934
0.8 MPa	827	1292	1861	2908	4666	7137	12824	17693	29160	42731
0.9 MPa	920	1437	2070	3234	5189	7939	14264	19679	32433	47527
1.0 MPa	1013	1583	2279	3561	5713	8740	15703	21665	35707	52323
1.1 MPa	1106	1728	2488	3887	6237	9541	17142	23651	38980	57120
1.2 MPa	1199	1873	2697	4214	6760	10342	18582	25637	42253	61916
1.3 MPa	1291	2018	2906	4540	7284	11143	20021	27623	45526	66712
1.4 MPa	1384	2163	3114	4866	7808	11944	21461	29609	48799	71509
1.5 MPa	1477	2308	323	5193	8332	12745	22900	31595	52072	76305
1.6 MPa	1570	2453	3532	5519	8855	13547	24340	33581	55345	81101

Flow Capacities for Water (KG/H)

	DN20 /32	DN25 /40	DN32 /50	DN40 /65	DN50 /80	DN65 /100	DN80 /125	DN100 /150	DN125 /200	DN150 /250
0.1 MPa	3225	5039	7256	11337	18190	27826	49996	68980	113685	166592
0.2 MPa	4560	7126	10261	16033	25724	39352	70706	97552	160775	235596
0.3 MPa	5585	8726	12567	19636	31505	48196	86596	119476	196909	288545
0.4 MPa	6450	10077	14511	22674	36379	55652	99993	137959	227371	333183
0.5 MPa	7211	11267	16224	25350	40673	62221	111795	154243	254208	372510
0.6 MPa	7899	12342	17773	27770	44555	68160	122466	168965	278471	408064
0.7 MPa	8532	13331	19197	29995	48125	73621	132278	182503	300783	440760
0.8 MPa	9121	14252	20522	32066	51448	78704	141411	195104	321551	471192
0.9 MPa	9674	15116	21767	34011	54569	83478	149989	206939	341056	499775
1.0 MPa	10198	15934	22945	35851	57521	87994	158102	218133	359505	526809
1.1 MPa	10695	16711	24064	37601	60328	92289	165819	228780	377052	552522
1.2 MPa	11171	17455	25135	39273	63011	96393	173193	238952	393818	577090
1.3 MPa	11627	18167	26161	40876	65584	100329	180264	248710	409898	600655
1.4 MPa	12066	18853	27148	42419	68059	104116	187069	258098	425372	623329
1.5 MPa	12489	19515	28101	43908	70448	107770	193635	267157	440302	645207
1.6 MPa	12899	20155	29023	45348	72759	111305	199986	275919	454742	666366

The contents of this literature are for informative purposes only. Arita is not responsible for suitability or compatibility of these products in relation to system requirement. For specific requirements, consult Arita or its distributors. Arita reserves the right to change or modify product design without prior notice.