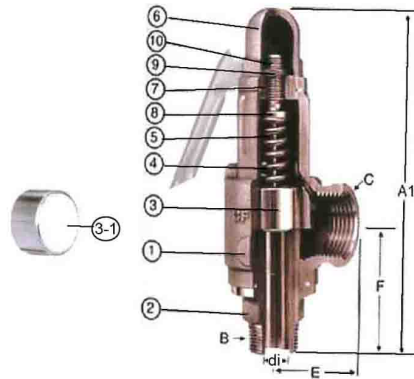




UNIMECH GROUP, MALAYSIA

SAFETY VALVE SCREWED END WITH LEVER 150 PSI

Model : SVP-S8DL



Technical Data

Specifications :

Nominal Pressure : 150 PSI
 Working Fluid : Non-Corrosive Gas, Corrosive Gas, Air, Steam
 Working Temperature : -60°C ~ 196°C
 Working Pressure : 11 ~ 20 kgf/cm²
 Connection : BSPT (BS21)

Material

No	PART	MATERIAL
1	BODY	CF8M
2	SEAT	SUS 316
3	DISC	SUS 316
3-1	SOFT SEAL	PTFE
4	SPRING	SUS 304
5	STEM	SUS 316
6	CAP	CF8M
7	PACKING	PTFE
8	SPRING SEAT	SUS 304
9	NUT	SUS 304
10	ADJUSTING SCREW	SUS 304
11	HANDLE	SUS 304

Dimension in mm

Nominal Diameter	Inlet		Outlet		Inlet Orifice		Valve Seat Orifice	
	A1	B	C	di	D	E	F	
1/2"	199	1/2"	1"	13	22	40	67	
3/4"	199	3/4"	1"	19	22	40	67	
1"	203	1"	1"	25	22	40	71	
1.1/4"	279	1.1/4"	2"	32	38	66	93	
1.1/2"	284	1.1/2"	2"	38	38	66	98	
2"	284	2"	2"	50	38	66	98	

The contents of this literature are for informative purposes only. Unimech is not responsible for suitability or compatibility of these products in relation to system requirement. For specific requirements, consult Unimech or its distributors. Unimech reserves the right to change or modify product design without prior notice.