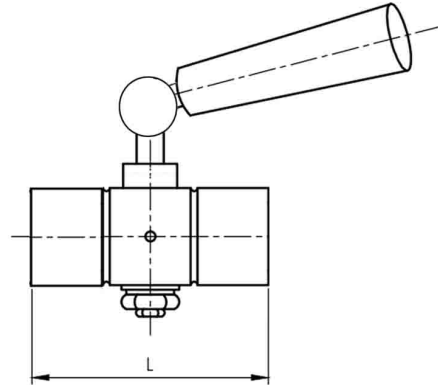
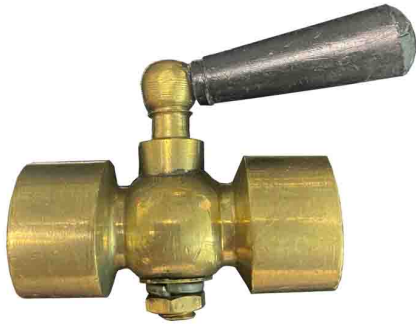




UNIMECH GROUP, MALAYSIA

GAUGE COCK SCREWED END



Gauge Cocks provide an economical and simple way to shut off the flow to a pressure instrument. Thereby, allowing the instrument to be isolated from the pressure media or removed from service. These are often used in conjunction with a U or O syphon to suit.

Specification

Pressure Test	150 LBS (Water)
Connection	Female to Female

Material

No	PART	MATERIAL
1	BODY	BRASS
2	PLUG	BRASS

Dimension in mm

SIZE	L
1/4"	47
3/8"	52
1/2"	56

The contents of this literature are for informative purposes only. Unimech is not responsible for suitability or compatibility of these products in relation to system requirement. For specific requirements, consult Unimech or its distributors. Unimech reserves the right to change or modify product design without prior notice.

Our Ref. : WGZB/001- 09/21