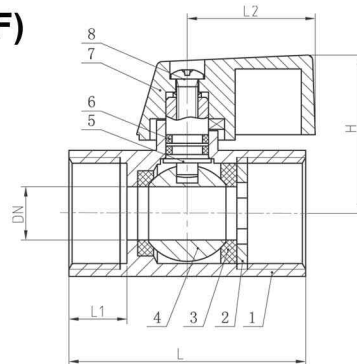


CHROMED PLATED MINI BALL VALVE SCREWED END

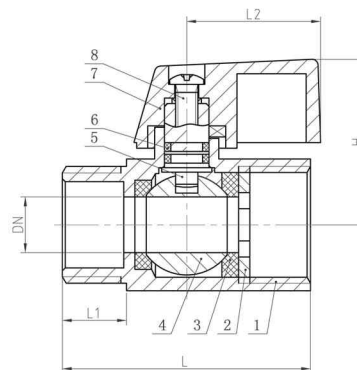
Female to Female (F/F)



Dimension in mm

SIZES		L	L1	L2	H	WT. (KG)
DN	In.					
6	1/4	41.5	11.5	24	27.5	0.1
10	3/8	40.5	11.5	24	27.5	0.08
15	1/2	44.5	11.5	24	29	0.11

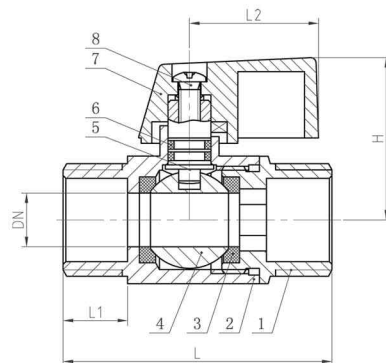
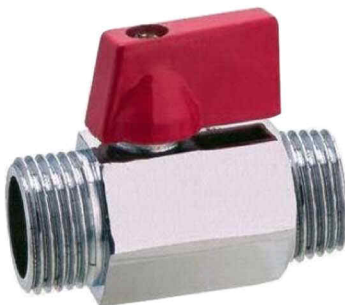
Male to Female (M/F)



Dimension in mm

SIZES		L	L1	L2	H	WT. (KG)
DN	In.					
6	1/4	40	10	24	27.5	0.07
10	3/8	40.5	11	24	27.5	0.07
15	1/2	45	11.5	24	29	0.1

Male to Male (M/M)



Dimension in mm

SIZES		L	L1	L2	H	WT. (KG)
DN	In.					
6	1/4	45	10.5	24	27.5	0.1
10	3/8	45	10.5	24	27.5	0.1
15	1/2	47	10.5	24	29	0.5

Features

- * Material : Brass (Chromed Plated)
- * Pipe Thread in Accordance : BSPT
- * Working Pressure : 200 PSI
- * Reduce Port
- * Investment Casting Body
- * Blow-out Proof Stem

Technical Data

Material

No.	PART	MATERIAL
1	BODY	BRASS
2	DISC NUT	BRASS
3	SEAT	PTFE
4	BALL	BRASS
5	STEM	BRASS
6	O-RING	NBR
7	HANDLE	ALUMINIUM
8	NUT	STEEL