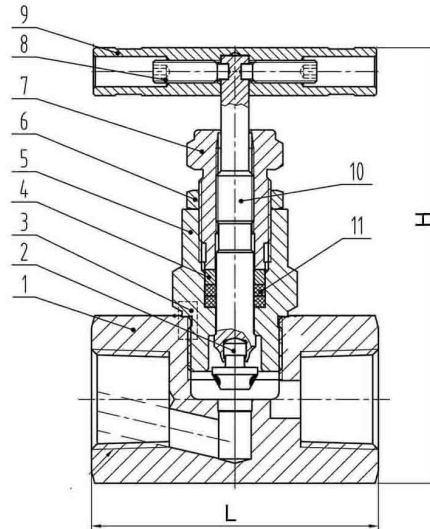


NEEDLE VALVE SCREWED END

Model : ARV-118SE

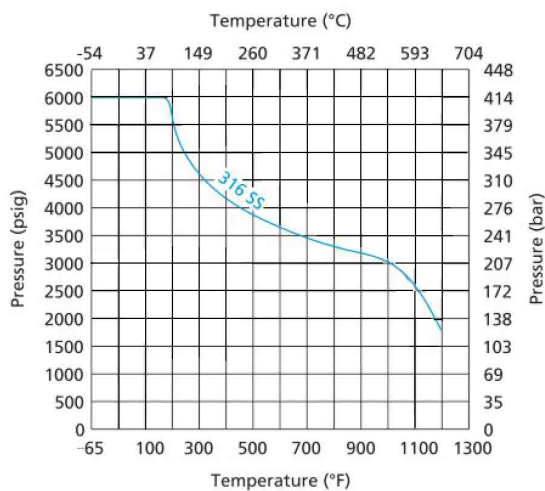


Technical Data

Specifications :

- T-bar Handle
- Teflon Packing
- Roll-formed Stem Thread
- Seal Test : 6,000 PSI
- Screwed End
- Adjustable Gland Ring
- Metal-to-metal Seat

Pressure vs. Temperature



Material

No	PART	MATERIAL
1	BODY	F316
2	STEM TIP	316
3	DOWEL	STAINLESS STEEL
4	PACKING WASHER	316
5	BONNET	316
6	LOCKING NUT	17-4PH
7	PACKING BOLT	304
8	SET SCREW	STAINLESS STEEL
9	HANDLE	AL
10	UPPER STEM	316
11	PACKING	PTFE

Dimension in mm

DN	L	H
3	54	80
6	60	88
10	60	88
15	76	100
20	76	115
25	96	120

The contents of this literature are for informative purposes only. Arita is not responsible for suitability or compatibility of these products in relation to system requirement. For specific requirements, consult Arita or its distributors. Arita reserves the right to change or modify product design without prior notice.