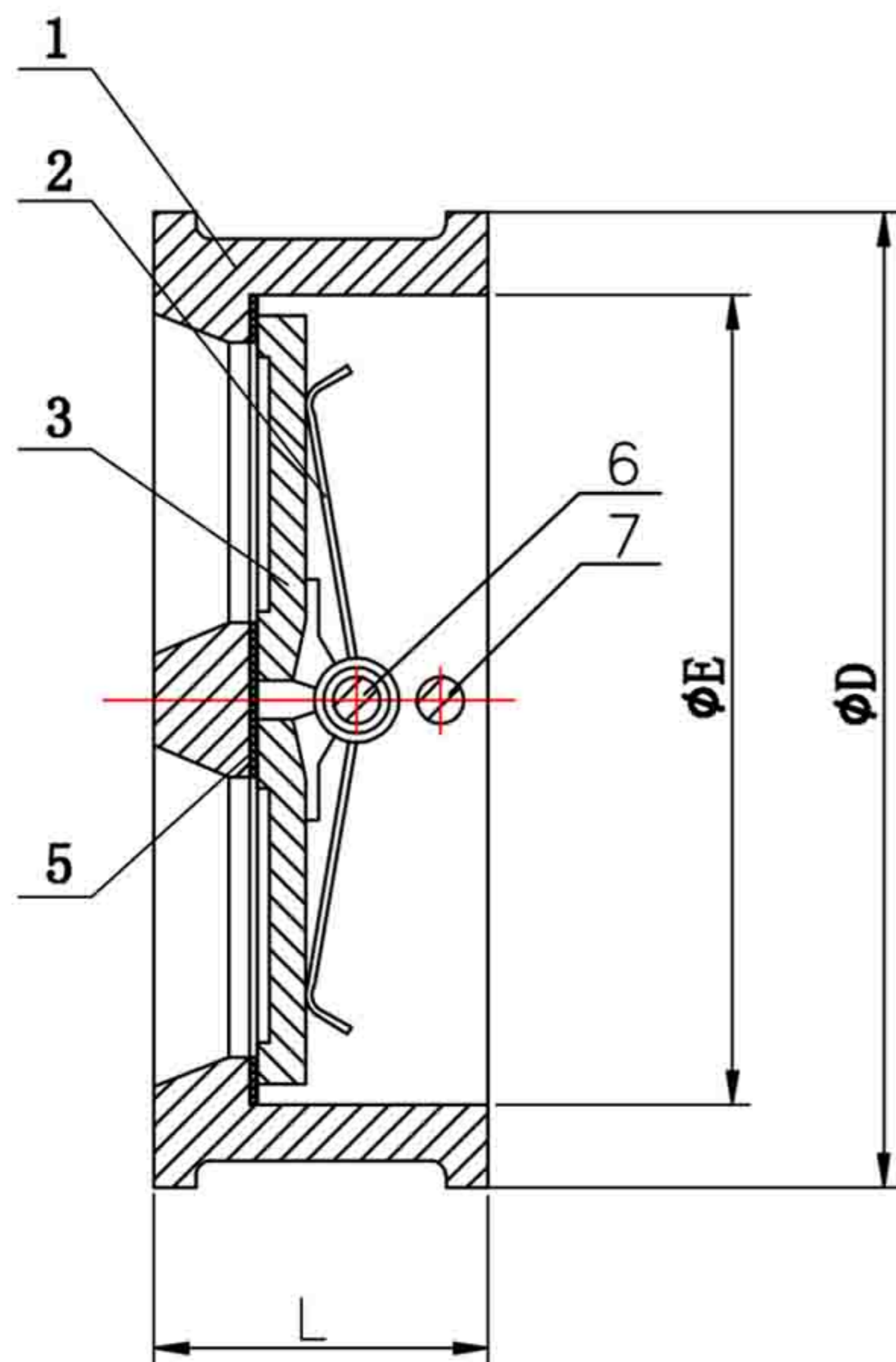
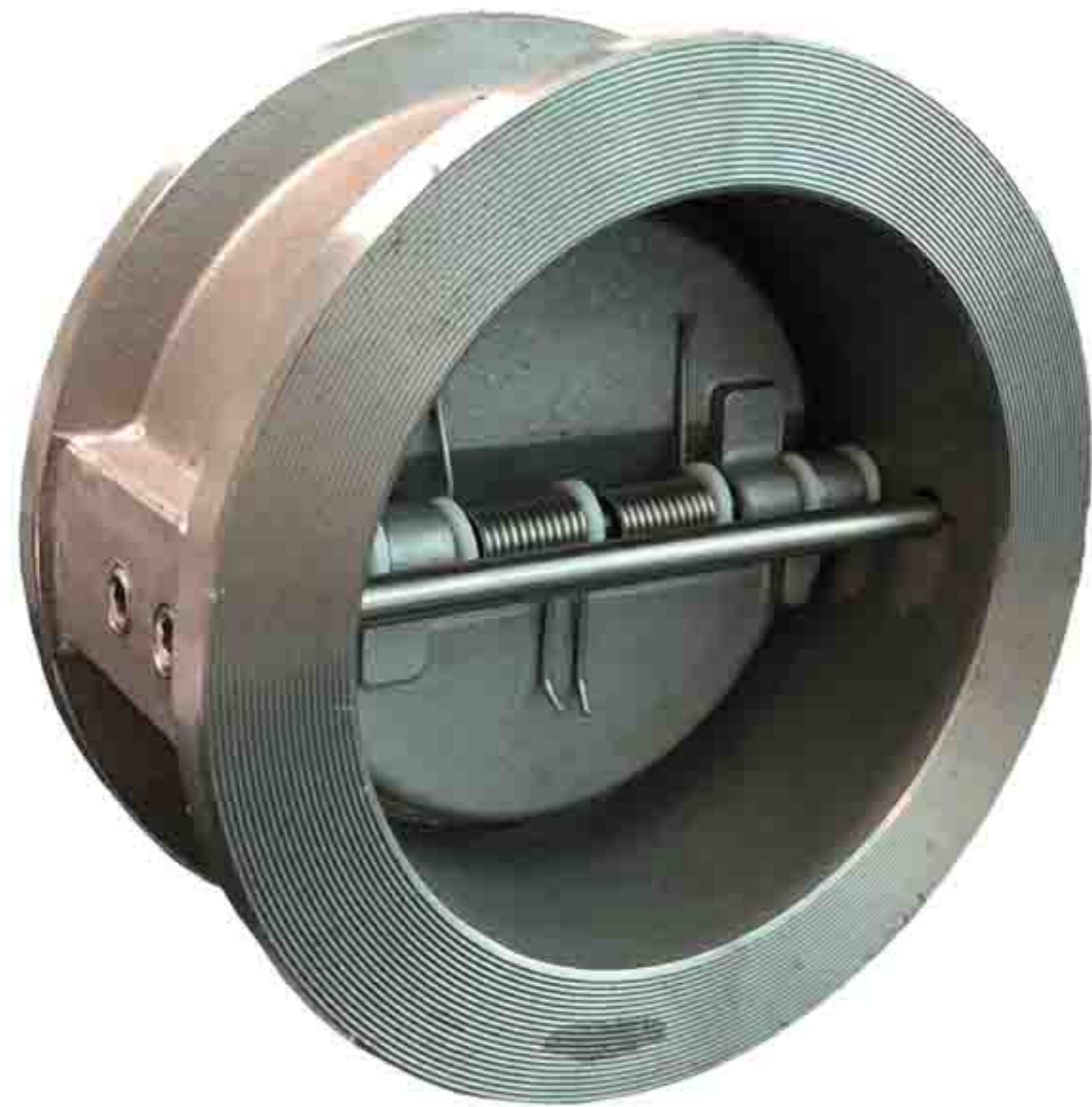


DUAL-PLATE WAFER CHECK VALVE

ARV-109WT(U)-S

Technical Data



Features :

Working Pressure : 2.5 Mpa

Pressure Closure Test : 2.75 Mpa

Shell Pressure Test : 3.75 Mpa

Valve Design : ASME B16.34

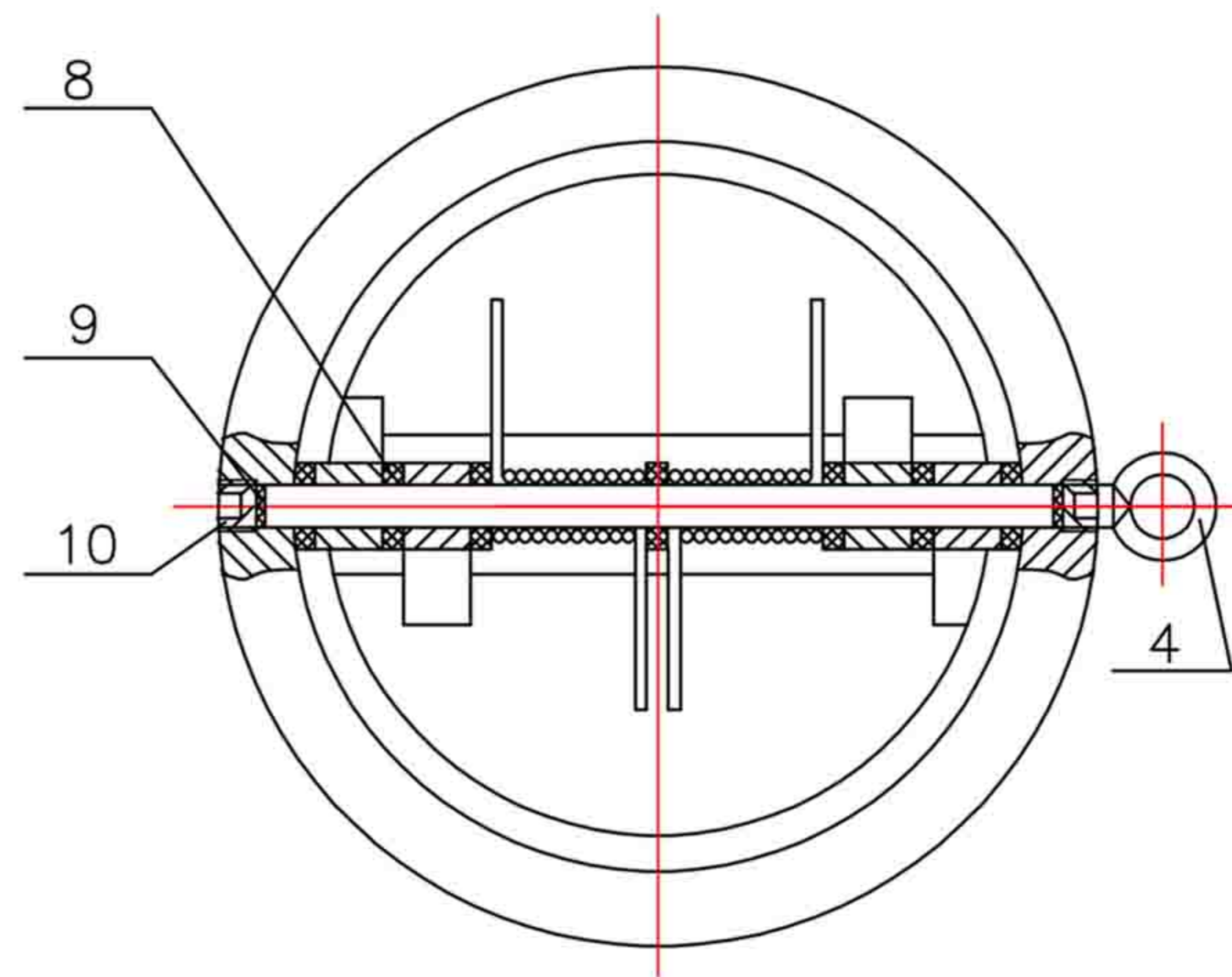
Flange Standard : Universal

Face to Face dimension to ANSI

Valve Inspection and Testing : API598

Medium : Fresh water, Sea water, Waste water, Food Stuff,
Steam, All kinds of Oil, Acid, Alkaline liquid etc.

Working Temperature : VITON : -20 ~ 200 °C



Dimension in mm

SIZE	L	ØE	ØD
50	54	65	101
65	54	80	120
80	57	94	131
100	64	117	156
125	70	145	187
150	76	170	217
200	95	224	267
250	108	265	328
300	143	312	375

Material

No	PART	MATERIAL
1	BODY	CF8M
2	SPRING	INCONEL
3	DISC	CF8M
4	RING	WCB
5	SEAT	VITON
6	SHAFT 1	316
7	SHAFT 2	316
8	GASKET	PTFE
9	GASKET	EPDM
10	STUB SCREW	STEEL