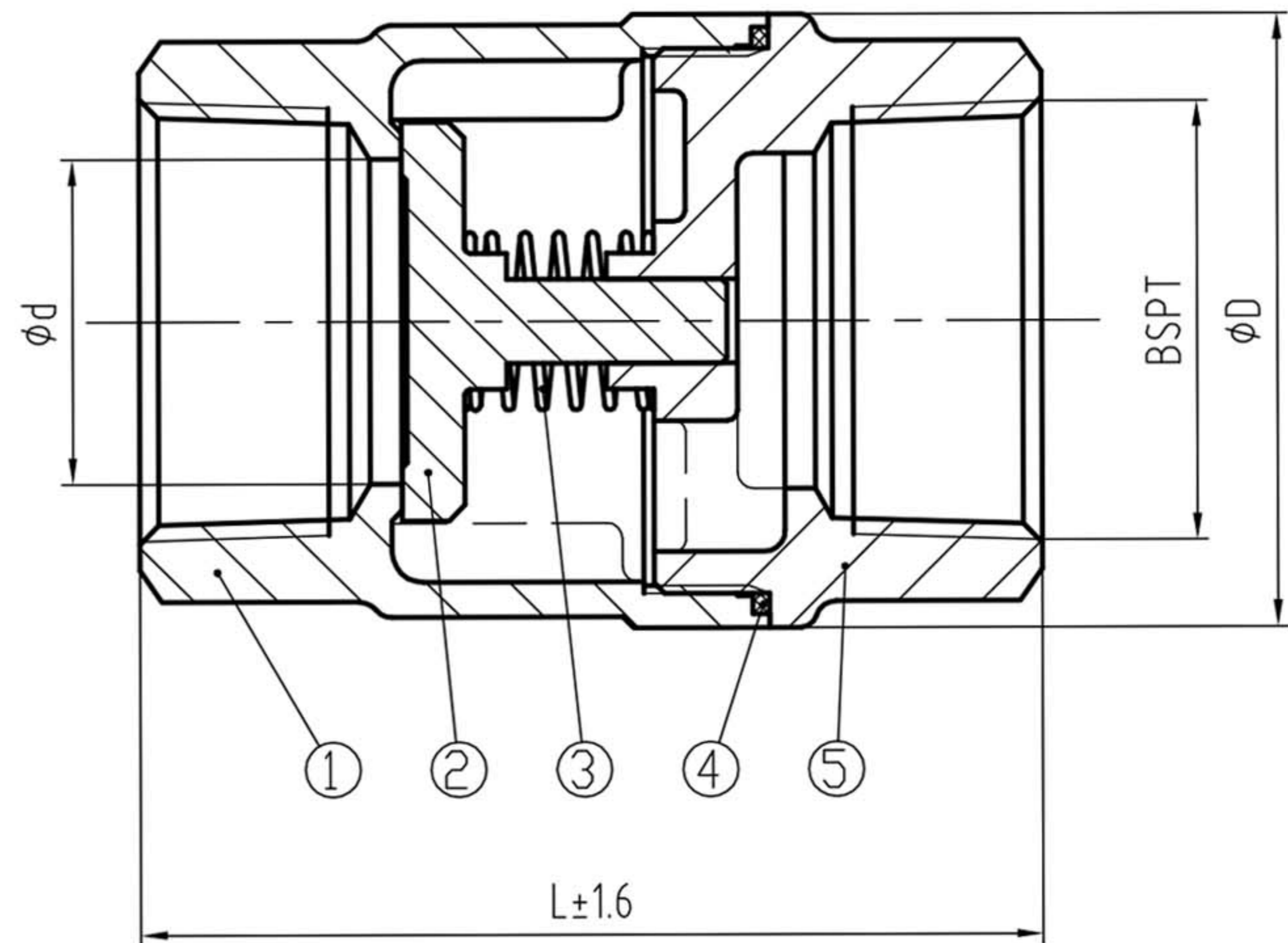


2-PC BODY SPRING VERTICAL CHECK VALVE SCREWED END

Model : ARF-114SE



Features :

Design according to ASME B16.34

Inspection and Test : API598

Connection Screwed : ISO 7/1

Applicable Temperature : -20~120°C

Technical Data

Nominal Pressure	4.0 Mpa	
Test Pressure	Shell Test	6.0 Mpa
	Seal Test	4.4 Mpa
	Gas Seal Test	0.6 Mpa
Applicable Medium	Water, Oil, Gas	
Applicable Temperature	-29 ~ 150 °C	

Material

No	PART	MATERIAL
1	BODY	A 351 CF8 / CF8M
2	DISC	A 351 CF8 / CF8M
3	SPRING	SS304 / SS316
4	GASKET	PTFE
5	BONNET	A 351 CF8 / CF8M

Dimension in mm

DN	L	d	BSPT	D
DN8	61	8	1/4	32.5
DN10	61	10	3/8	32.5
DN15	61	14	1/2	32.5
DN20	66	19	3/4	39
DN25	77.5	24	1	47.5
DN32	86	31	1.1/4	58.5
DN40	95	39	1.1/2	66
DN50	106	49	2	79.5