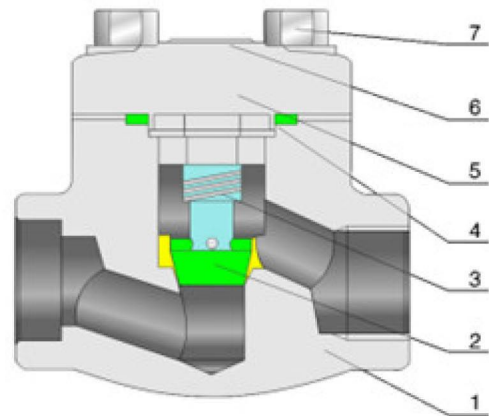
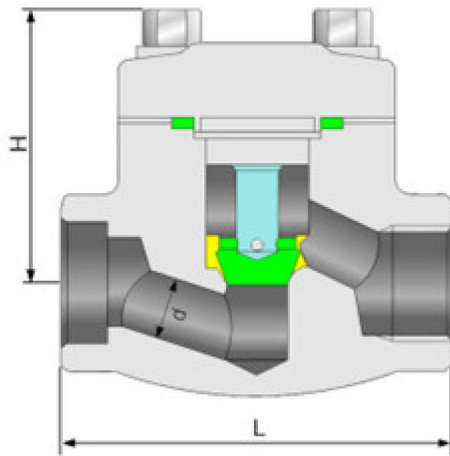


PISTON CHECK VALVE CLASS 800

Model : ARF-404SE, ARF-404SW



Features :

- Bolted Bonnet or Welded Bonnet
- Lift Type
- End Connection : NPT or Socket Weld
- Inspection and Test : API598
- Pressure Rating Class 800
- Pressure up to 138 bar
- Temperature up to 425 °C

Standards :

- Design : API 602 & ANSI B16.34
- Threaded Ends : ASME B1.20.1 (NPT)
- Socket Welding Ends : ASME B16.11

Technical Data

Material

No	PART	MATERIAL
1	BODY	A105
2	DISC	A276-420
3	SPRING	Si.Mn Alloy Steel
4	GASKET	304+GRAPHITE
5	BONNET	A105
6	NAME PLATE	ALUMINIUM
7	BOLT	A193-B7

Dimension in mm

DN	15	20	25	32	40	50
d	11	13	18	23	28.5	33
L	79	92	111	120	152	172
H (open)	62	63	78	82	102	120