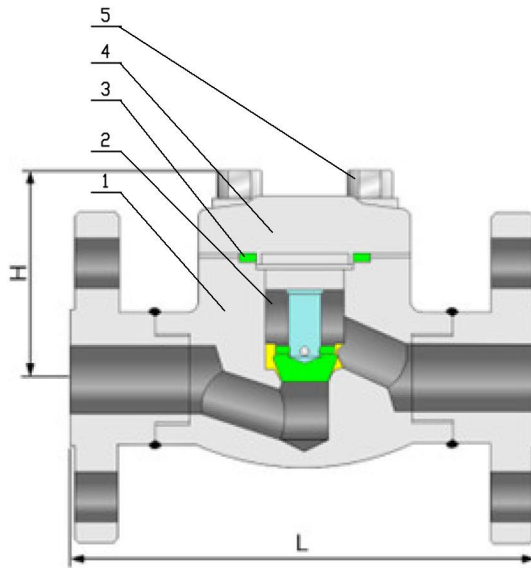


FORGED STEEL LIFT CHECK VALVE CLASS 150 / 300 / 600

Model : ARF-404FE(A)



Features :

- Bolted Bonnet
- Lift Type
- Flanged End
- Inspection and Test : API598
- Pressure Rating : ANSI 150 / 300 / 600
- Temperature up to 450 °C

Standards :

- Design : API 602 & ANSI B16.34
- Flanged Ends : ANSI B16.5
- Face to face : ANSI B16.10

Technical Data

Material

No	PART	MATERIAL
1	BODY	A105
2	DISC	A182 F6a + STL
3	GASKET	304+GRAPHITE
4	BONNET	A105
5	BOLT	A193 B7

Dimension in mm

DN		15	20	25	32	40	50
d		13	18	24	29	36.5	46.5
L	150LB	108	117	127	140	165	203
	300LB	152	178	203	216	229	267
	600LB	165	190	216	229	241	292
H		62	63	78	82	102	120