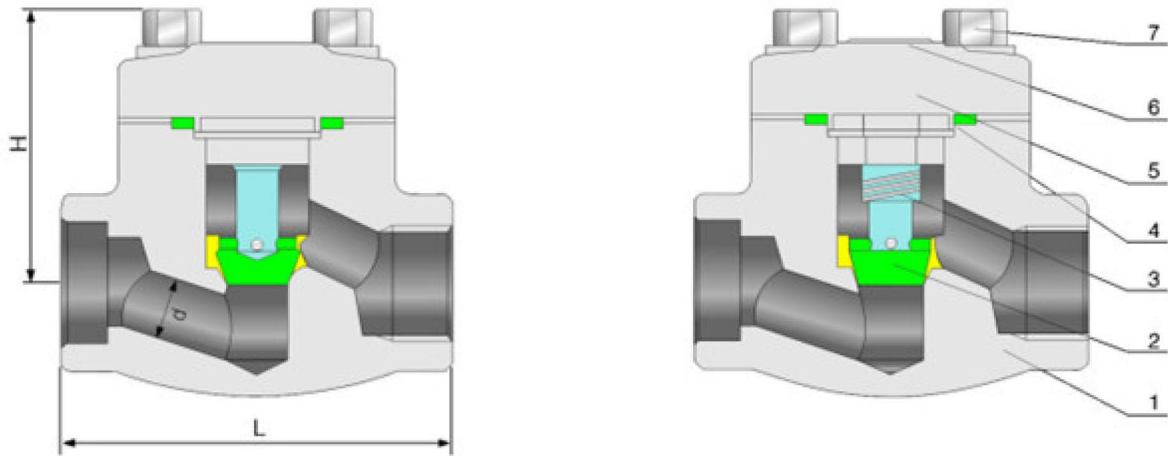


## PISTON CHECK VALVE CLASS 800

Model : ARF-104SE, ARF-104SW



### Features :

- Bolted Bonnet or Welded Bonnet
- Lift Check Valve
- End Connection : NPT or Socket Weld
- Inspection and Test : API598
- Pressure Rating Class 800
- Pressure up to 138 bar
- Temperature up to 425 °C

### Standards :

- Design : API 602 & ANSI B16.34
- Threaded Ends : ASME B1.20.1 (NPT)
- Socket Welding Ends : ASME B16.11

### Technical Data

#### Material

No	PART	MATERIAL	
1	BODY	F304	F316
2	DISC	F304+STL	F316+STL
3	SPRING	STAINLESS STEEL	
4	GASKET	316+GRAPHITE	
5	BONNET	F304	F316
6	NAME PLATE	ALUMINIUM	
7	BOLT	A193-B8	A193-B8M

### Dimension in mm

DN	15	20	25	32	40	50
d	11	13	18	23	28.5	33
L	79	92	111	120	152	172
H (open)	166	175	206	228	262	300