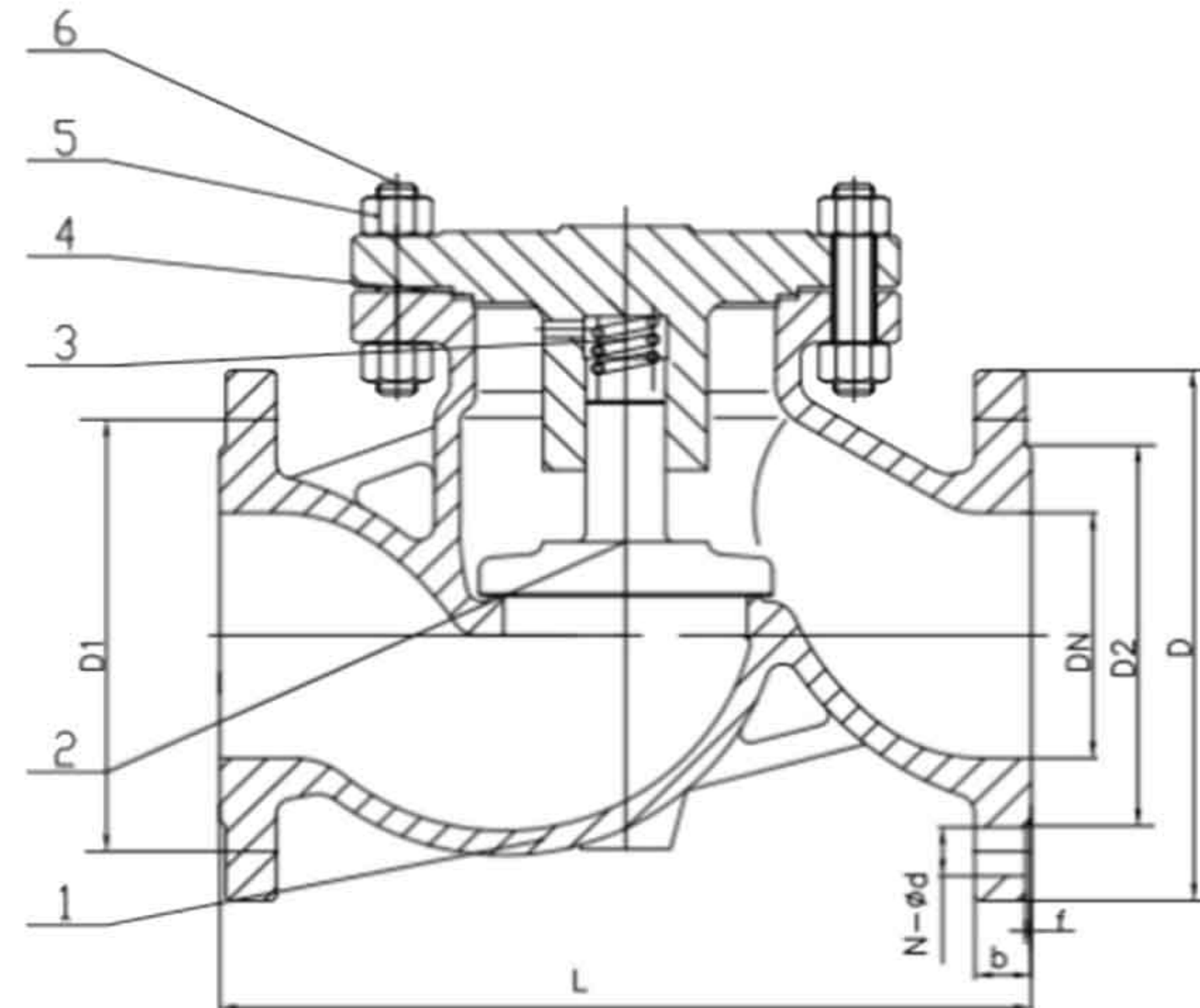


S-PATTERN LIFT CHECK VALVE FLANGED END PN 40

Model : ARV-204FE(D)-SP



Technical Data

Technical Parameter

Nominal Pressure		PN 40
Test Pressure	Shell Test Pressure	6.0 Mpa
	Sealing Test (water)	4.0 Mpa
Service Temperature		23 bar up to 400 °C 27 bar up to 300 °C 40 bar up to 120 °C
Suitable Medium		Water, Steam, Air and other non-aggressive liquids and gas.

Material

No	PART	MATERIAL
1	BODY	WCB
2	DISC	A105+Cr13
3	SPRING	STAINLESS STEEL
4	GASKET	304 JACKETED GRAPHITE
5	STUD	35
6	NUT	35
7	BONNET	WCB

Dimension in mm

NPS	DN	L	D	D1	D2	b	f	Z-Ød
1/2"	15	130	95	65	45	16	2	4-Ø14
3/4"	20	150	105	75	58	18	2	4-Ø14
1"	25	160	115	85	68	18	2	4-Ø14
1.1/4"	32	180	140	100	78	18	2	4-Ø18
1.1/2"	40	200	150	110	88	18	3	4-Ø18
2"	50	230	165	125	102	20	3	4-Ø18
2.1/2"	65	290	185	145	122	22	3	8-Ø18
3"	80	310	200	160	138	24	3	8-Ø18
4"	100	350	235	190	162	24	3	8-Ø22
5"	125	400	270	220	188	26	3	8-Ø26
6"	150	480	300	250	218	28	3	8-Ø26
8"	200	600	375	320	285	34	3	12-Ø30
10"	250	650	450	385	345	38	3	12-Ø33
12"	300	750	515	450	410	42	3	16-Ø33