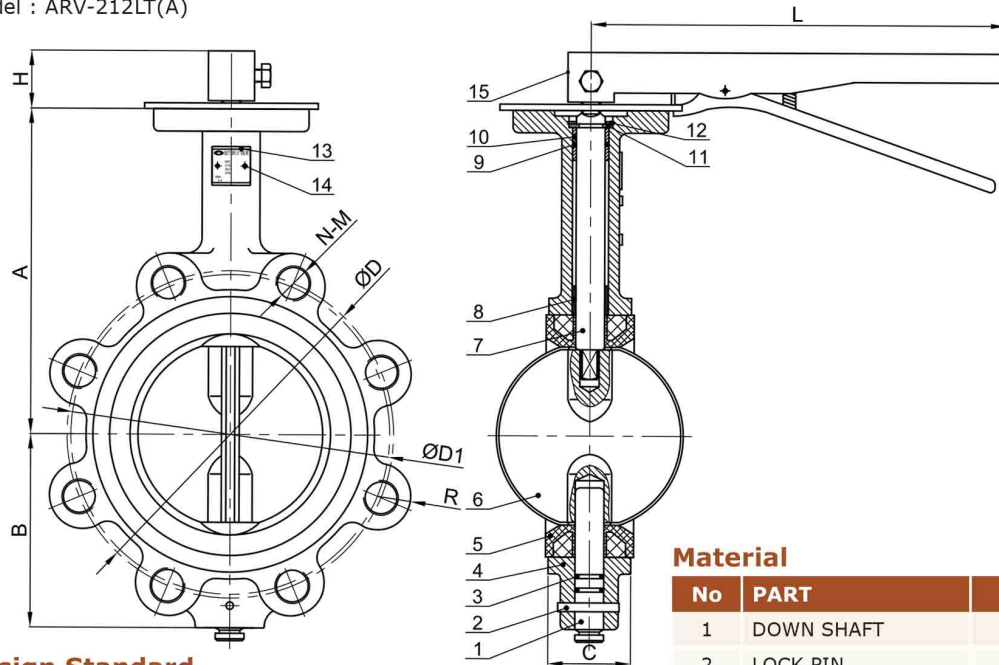


## LUG TYPE BUTTERFLY VALVE FLANGED END ANSI 150

Model : ARV-212LT(A)



### Design Standard

Design Standard	EN 593
Face to Face	EN 558
Flange Connection	ANSI 150
Test Standard	EN 12266-1

### Hydrostatic Test

Pressure Rating	PN10 / PN16
Shell Test Pressure	1.5 / 2.4 Mpa
Seal Test Pressure	1.1 / 1.76 Mpa
Suitable Temperature	-20 to 130 °C (EPDM)

### Material

No	PART	MATERIAL
1	DOWN SHAFT	SS 420
2	LOCK PIN	SS 316
3	DOWN O-RING	EPDM
4	BODY	WCB
5	SEAT	EPDM
6	DISC	CF8
7	UPPER SHAFT	SS 420
8	BUSHING (LONG)	PTFE
9	O-RING	EPDM
10	BUSHING (SHORT)	PTFE
11	BESECT RING	SS 416
12	KEEPING RING	SPRING STEEL
13	NAME PLATE	ALUMINIUM
14	RIVET	ALUMINIUM
15	HAND LEVER	DI

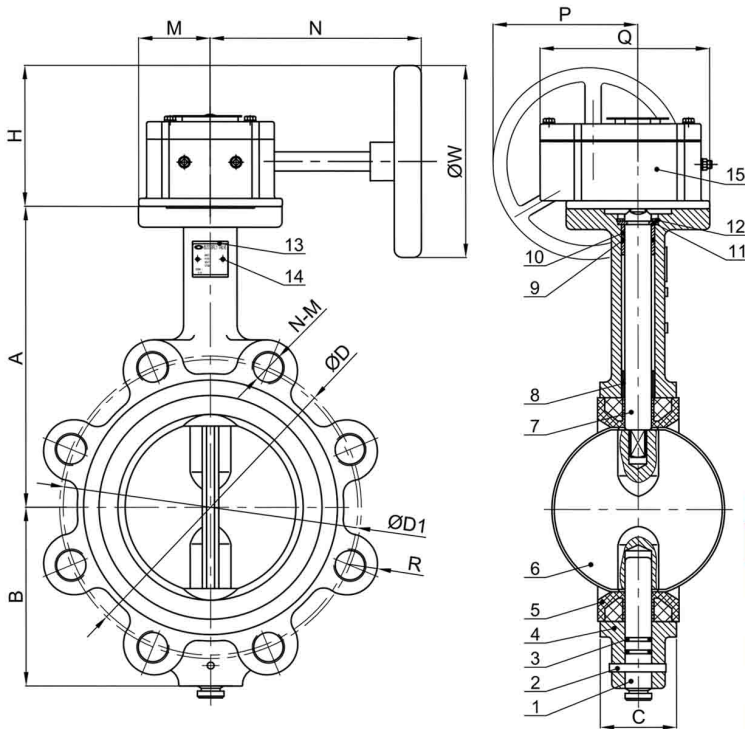
### Dimension in mm

SIZE	DN	A	B	C	ØD	N-M	ØD1	R	H	L	
2"	50	156	80	42.04	Ø120.6	4-5/8"	10UNC	Ø125	15	24	240
2.1/2"	65	162	89	45.68	Ø139.7	4-5/8"	10UNC	Ø145	17	24	240
3"	80	170	95	45.21	Ø152.4	4-5/8"	10UNC	Ø152.4	15	24	240
4"	100	185	114	52.07	Ø190.5	8-5/8"	10UNC	Ø190.5	18	28	260
5"	125	207	127	55.36	Ø215.9	8-3/4"	10UNC	Ø215.9	22	32	267
6"	150	216	139	55.75	Ø241.3	8-3/4"	10UNC	Ø241.3	22	32	267
8"	200	256	175	60.58	Ø298.4	8-3/4"	10UNC	Ø298.4	22	34	355
10"	250	248	203	67.63	Ø361.9	12-7/8"	9UNC	Ø361.9	25	34	355
12"	300	280	242	76.9	Ø431.8	12-7/8"	9UNC	Ø431.8	23	34	355

The contents of this literature are for informative purposes only. Arita is not responsible for suitability or compatibility of these products in relation to system requirement. For specific requirements, consult Arita or its distributors. Arita reserves the right to change or modify product design without prior notice.

## LUG TYPE BUTTERFLY VALVE FLANGED END ANSI 150

Model : ARV-212LT(A)



### Design Standard

Design Standard	EN 593
Face to Face	EN 558
Flange Connection	ANSI 150
Test Standard	EN 12266-1

### Material

No	PART	MATERIAL
1	DOWN SHAFT	SS 420
2	LOCK PIN	SS 316
3	DOWN O-RING	EPDM
4	BODY	WCB
5	SEAT	EPDM
6	DISC	CF8
7	UPPER SHAFT	SS 420
8	BUSHING (LONG)	PTFE
9	O-RING	EPDM
10	BUSHING (SHORT)	PTFE
11	BESECT RING	SS 416
12	KEEPING RING	SPRING STEEL
13	NAME PLATE	ALUMINIUM
14	RIVET	ALUMINIUM
15	GEAR BOX	

### Hydrostatic Test

Pressure Rating	PN10 / PN16
Shell Test Pressure	1.5 / 2.4 Mpa
Seal Test Pressure	1.1 / 1.76 Mpa
Suitable Temperature	-20 to 130 °C (EPDM)

### Dimension in mm

SIZE	DN	A	B	C	ØD	N-M	ØD1	R	H	ØW	M	N	P	Q	
2"	50	156	80	42.04	Ø120.6	4-5/8"	10UNC	Ø125	15	90	Ø120	45	155	100	108
2.1/2"	65	162	89	45.68	Ø139.7	4-5/8"	10UNC	Ø145	17	90	Ø120	45	155	100	108
3"	80	170	95	45.21	Ø152.4	4-5/8"	10UNC	Ø152.4	15	90	Ø120	45	155	100	108
4"	100	185	114	52.07	Ø190.5	8-5/8"	10UNC	Ø190.5	18	90	Ø120	45	155	100	108
5"	125	207	127	55.36	Ø215.9	8-3/4"	10UNC	Ø215.9	22	90	Ø120	45	155	100	108
6"	150	216	139	55.75	Ø241.3	8-3/4"	10UNC	Ø241.3	22	90	Ø120	45	155	100	108
8"	200	256	175	60.58	Ø298.4	8-3/4"	10UNC	Ø298.4	22	138	Ø200	63	190	157	144
10"	250	248	203	67.63	Ø361.9	12-7/8"	9UNC	Ø361.9	25	138	Ø200	63	190	157	144
12"	300	280	242	76.9	Ø431.8	12-7/8"	9UNC	Ø431.8	23	138	Ø200	63	190	157	144

The contents of this literature are for informative purposes only. Arita is not responsible for suitability or compatibility of these products in relation to system requirement. For specific requirements, consult Arita or its distributors. Arita reserves the right to change or modify product design without prior notice.