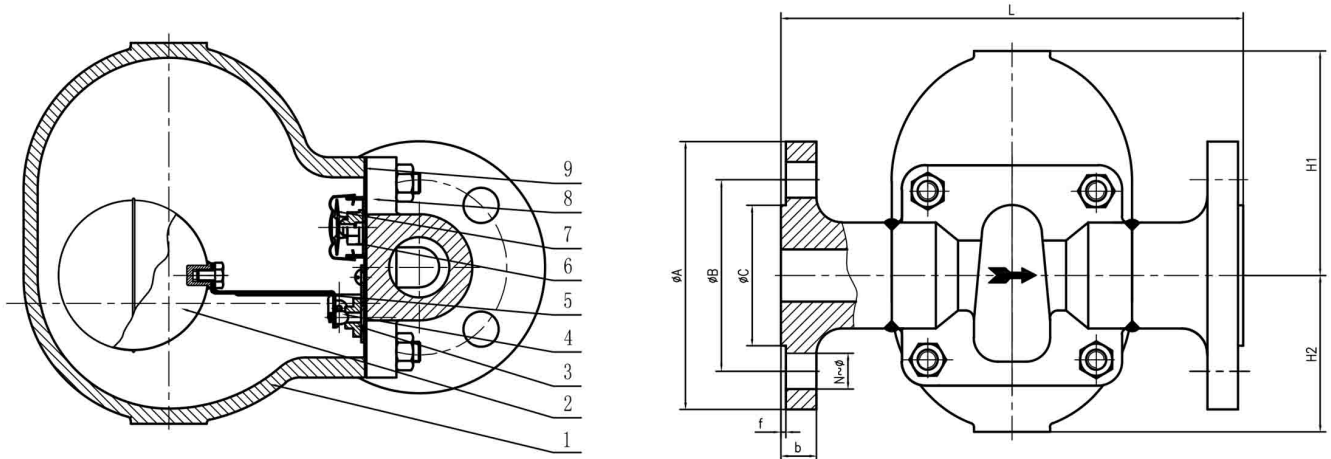


## BALL FLOAT STEAM TRAP FLANGED END PN 16

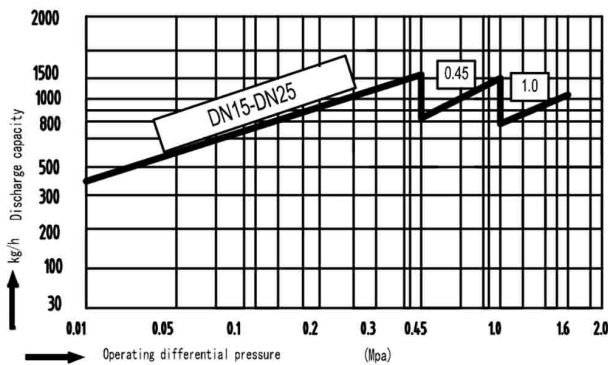
Model : FT46-10



### Features :

Body Design : PN16  
 PMO Max. Operating Pressure : 10 bar  
 TMO Max. Operating Temperature : 250 °C

### Technical Data



### Material

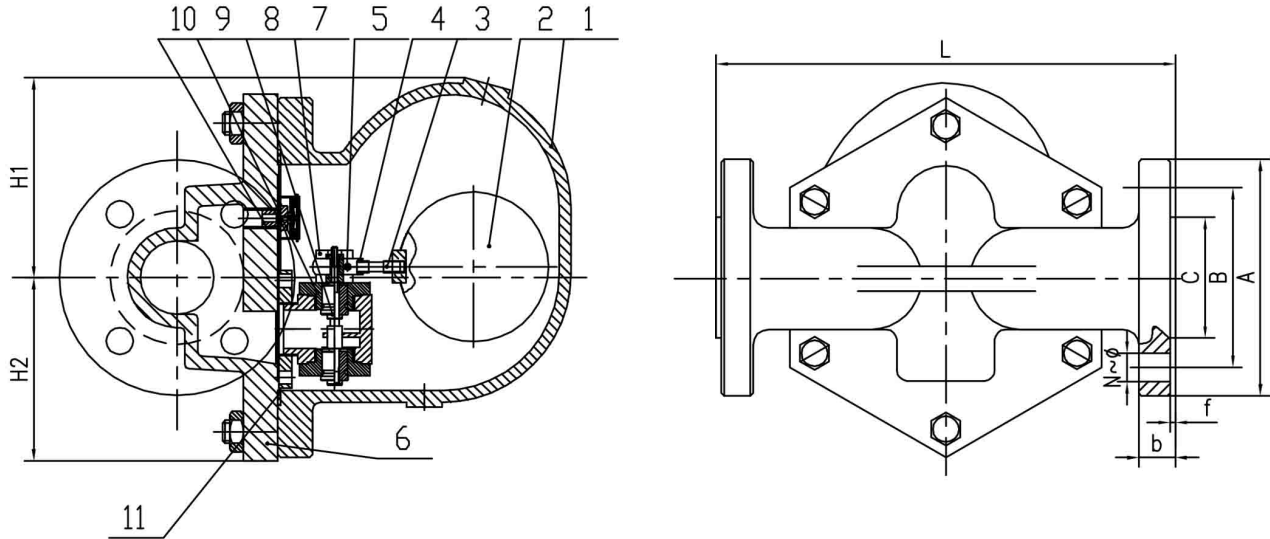
No	PART	MATERIAL
1	BODY	CAST STEEL WCB
2	FLOAT BALL	SS 304
3	SEAT	2Cr13
4	DISC	2Cr13
5	YOKE	SS 304
6	SEAT	2Cr13
7	VENTING GROUPWARE	SS 304
8	BONNET	CAST STEEL WCB
9	GASKET	304+GRAPHITE

### Dimension in mm

DN	L	H1	H2	A	B	C	b	f	N-Ø
15	210	115	80	95	65	45	16	2	4-Ø14
20	210	115	80	105	75	55	16	2	4-Ø14
25	210	115	80	115	85	65	16	2	4-Ø14

## BALL FLOAT STEAM TRAP FLANGED END PN 16

Model : FT46-10



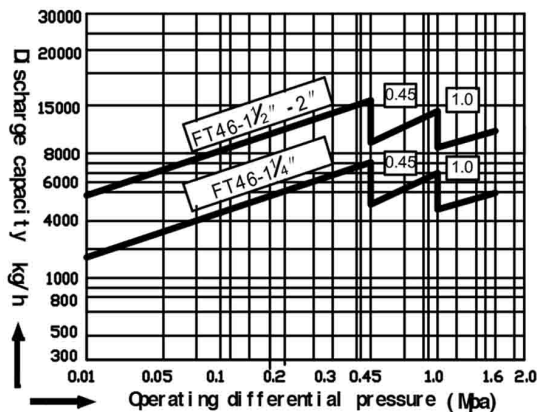
### Features :

Body Design : PN16  
 PMO Max. Operating Pressure : 10 bar  
 TMO Max. Operating Temperature : 250 °C

### Technical Data

### Material

No	PART	MATERIAL
1	BODY	CAST STEEL WCB
2	BALL COCK	SS 304
3	BOLT	2Cr13
4	BRACKET	2Cr13
5	PIN	1Cr18Ni9Ti
6	BONNET	WCB
7	STEEL GASKET	1Cr18Ni9Ti
8	SEAT	2Cr13
9	SEAT	2Cr13
10	VENTING GROUPWARE	SS 304
11	GASKET	GRAPHITE



### Dimension in mm

DN	L	H1	H2	A	B	C	b	f	N-Ø
32	230	150	100	135	100	78	16	2	4-Ø18
40	230	150	100	145	110	85	16	3	4-Ø18
50	230	150	100	160	125	100	16	3	4-Ø18