



UNIMECH GROUP, MALAYSIA



A MEMBER OF UNIMECH GROUP, MALAYSIA

SWING CHECK VALVE FLANGED END CLASS 100 (BS 4090)

ISO 9001 : 2000



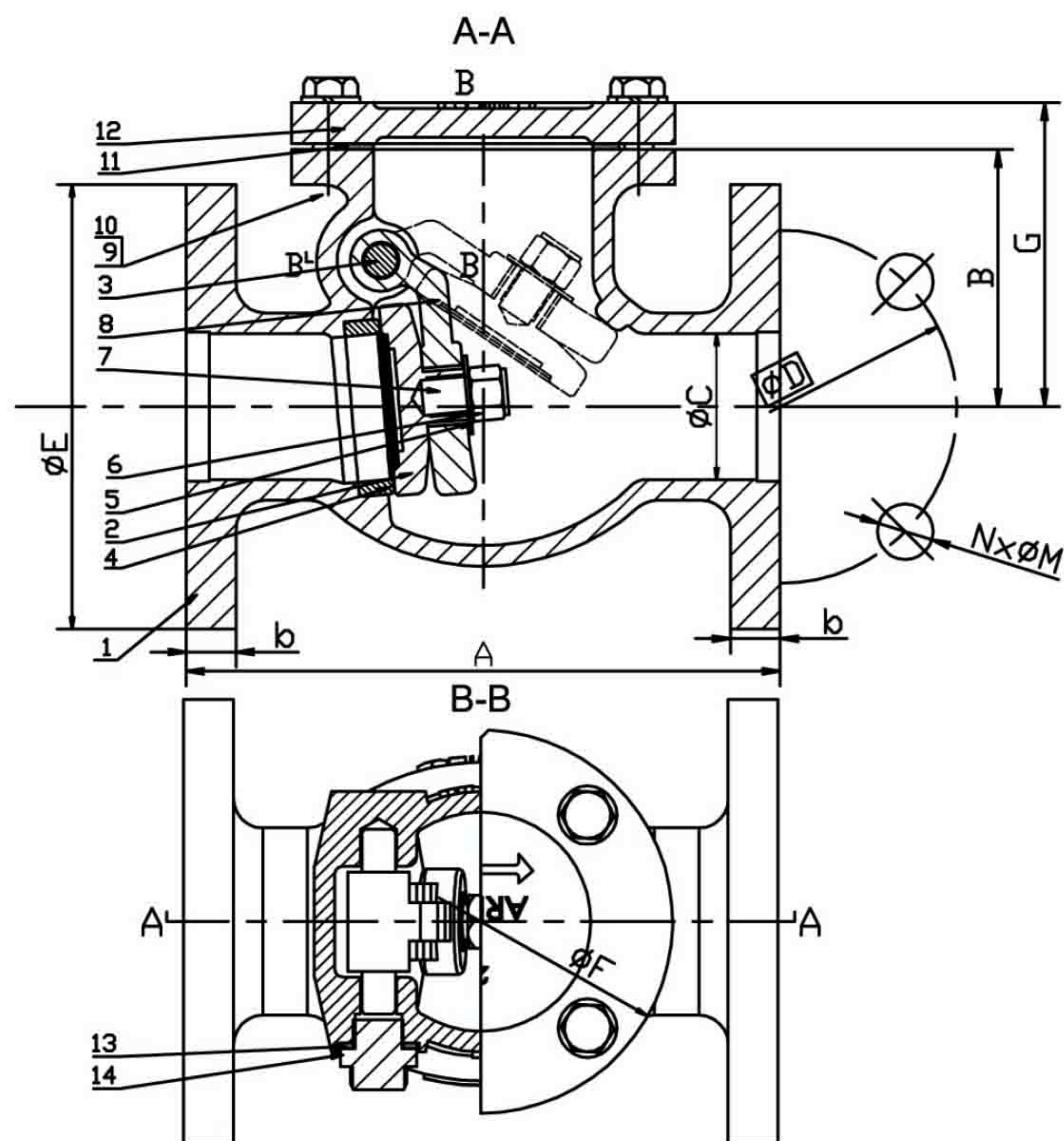
ARV-803FE (B)

The rugged body and cover are cast from cast iron. The long radius body design allows for a smooth flow and minimizes head loss. Cover is bolted onto the body which permits it to be removed for access to disc for clean out and maintenance. Seat is slightly inclined to ensure the disc will seat completely on the seat before the reverse flow occurs. The seat and disc surfaces are machined with fine finishing for good sealing. Stainless steel material is used for hinge pin to resist corrosion and hence, prevents disruption of disc movement and gives long reliable function. This product is suitable for general and industrial application

Dimension in mm

| SIZES | | A | B | G | b | ØC | ØD | ØE | ØF | N-ØM | CV | WT. (KG) |
|-------|-------|-----|-----|-----|----|-----|-------|-----|-----|-------|-------|----------|
| DN | In. | | | | | | | | | | | |
| 50 | 2 | 203 | 88 | 104 | 17 | 50 | 114.3 | 152 | 131 | 4-19 | 480 | 12.3 |
| 65 | 2 1/2 | 216 | 104 | 122 | 19 | 65 | 127.0 | 165 | 152 | 4-19 | 750 | 14.7 |
| 80 | 3 | 241 | 110 | 128 | 19 | 80 | 146.0 | 184 | 190 | 4-19 | 1300 | 18.4 |
| 100 | 4 | 292 | 134 | 152 | 20 | 100 | 177.8 | 216 | 217 | 8-19 | 2300 | 26.8 |
| 125 | 5 | 330 | 160 | 181 | 22 | 125 | 209.5 | 254 | 260 | 8-19 | 3000 | 35.0 |
| 150 | 6 | 356 | 188 | 211 | 21 | 150 | 234.9 | 280 | 294 | 8-22 | 5400 | 55.5 |
| 200 | 8 | 495 | 227 | 250 | 24 | 200 | 292.0 | 337 | 335 | 8-22 | 10000 | 91.8 |
| 250 | 10 | 622 | 260 | 287 | 24 | 250 | 355.6 | 407 | 405 | 12-22 | 16000 | 139.3 |
| 300 | 12 | 698 | 307 | 334 | 27 | 300 | 406.4 | 457 | 500 | 12-24 | 24000 | 198.6 |

Note : Cv = US Gallon per minutes



Pressure Test

| Working Pressure | Hydrostatic Test | |
|------------------|------------------|--------|
| 10 Bar | Body | 15 Bar |
| | Seat | 11 Bar |

Temperature - Pressure

| | | | | | | | |
|----------------|----------|-----|-----|-----|-----|-----|-----|
| Temperature °C | -10 ~ 66 | 80 | 100 | 120 | 150 | 180 | 200 |
| Pressure (Bar) | 10 | 9.5 | 8.8 | 8.2 | 7.3 | 6.4 | 5.7 |

Material

| No. | PART | QTY. | MATERIAL |
|-----|------------------|------|------------------------|
| 1 | BODY | 1 | GRADE 20 |
| 2 | DISC | 1 | GRADE 20 |
| 3 | STEM | 1 | STAINLESS STEEL 321S20 |
| 4 | SEAT RING | 1 | CARBON STEEL |
| 5 | WASHER | 1 | CARBON STEEL |
| 6 | LOCK NUT | 1 | CARBON STEEL |
| 7 | DOUBLE HEAD BOLT | 1 | CARBON STEEL |
| 8 | ARM | 1 | GRADE 20 |
| 9 | SPRING WASHER | 4~8 | SPRING STEEL |
| 10 | HEX BOLT | 4~8 | CARBON STEEL |
| 11 | GASKET | 1 | ASBESTOS |
| 12 | CAP | 1 | GRADE 20 |
| 13 | GASKET | 1 | ASBESTOS |
| 14 | HEX BOLT | 1 | CARBON STEEL |

Standard: BS 5153

Face to Face : BS 5153

Body Flange : TABLE - E

Test Standard : BS 5153

