



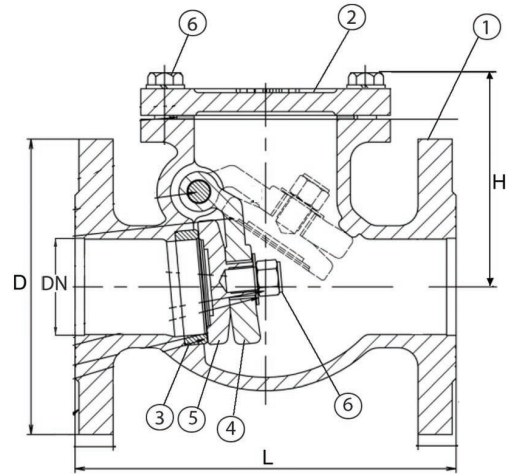
UNIMECH GROUP, MALAYSIA



A MEMBER OF UNIMECH GROUP, MALAYSIA

## SWING CHECK VALVE FLANGED END JIS 10K

ARV-803FE(J)



### Features :

- Face to face is according to JIS B2002
- Flange drilled is according to JIS B2212
- Working Pressure : 10K
- Test Pressure Shell : 21.1 kgf/cm<sup>2</sup>
- Seat : 15.0 kgf/cm<sup>2</sup>
- Working Temperature : -10 to 120°C

### Technical Data

#### Material

No	PART	MATERIAL
1	BODY	CAST IRON
2	BONNET	CAST IRON
3	DISC	CAST IRON
4	SEAT RING	CAST BRONZE / STAINLESS STEEL
5	INGE PEN	STAINLESS STEEL
6	DRAIN PLUG	CARBON STEEL

### Dimension in mm

SIZES	1.1/2"	2"	2.1/2"	3"	4"	5"	6"	8"	10"	12"
<b>DN</b>	40	50	65	80	100	125	150	200	250	300
<b>L</b>	190	203	220	240	292	330	356	495	622	698
<b>H</b>	100	105	115	140	155	170	203	246	283	330
<b>D</b>	140	155	175	185	210	250	280	330	400	445

The contents of this literature are for informative purposes only. Arita is not responsible for suitability or compatibility of these products in relation to system requirement. For specific requirements, consult Arita or its distributors. Arita reserves the right to change or modify product design without prior notice.