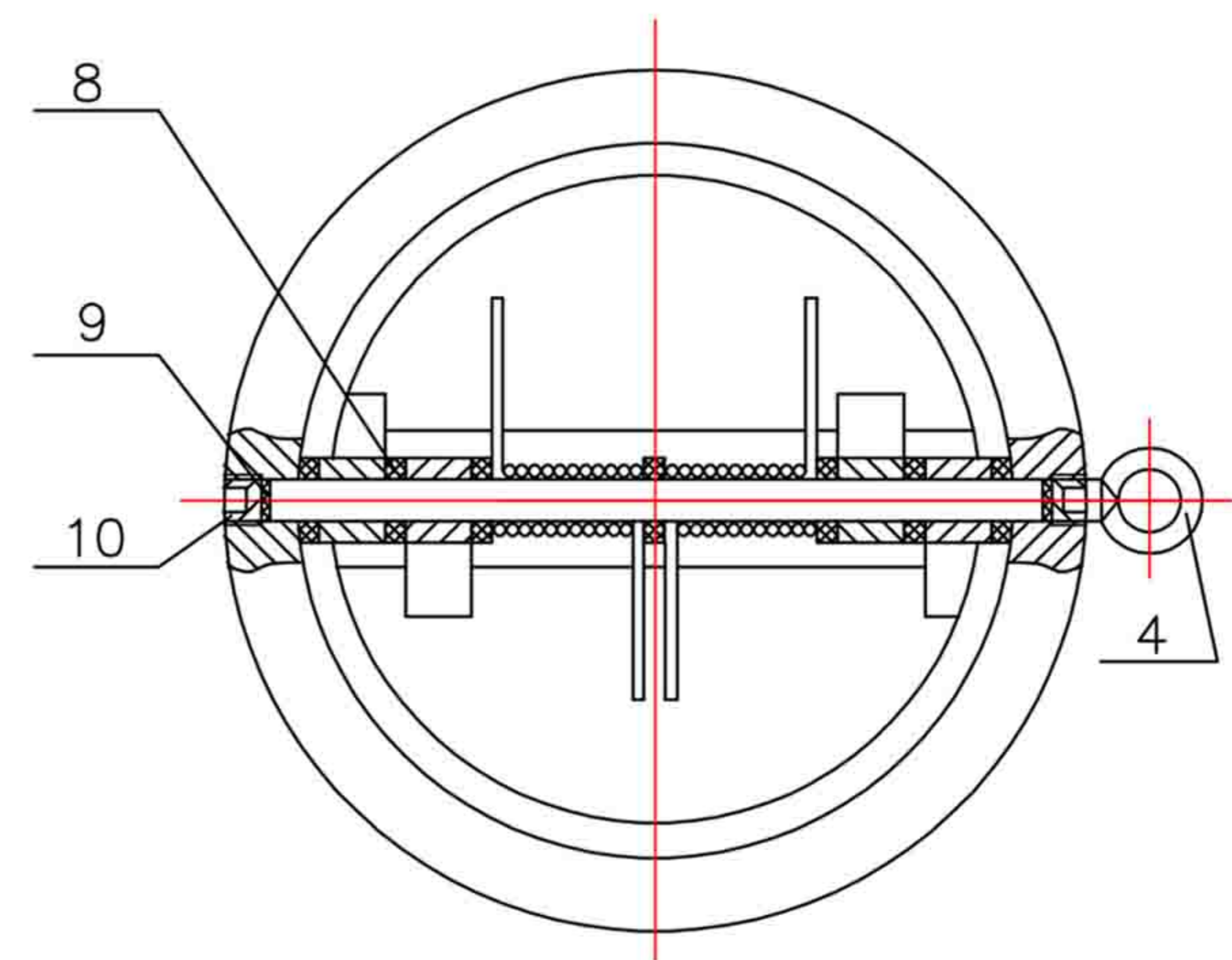
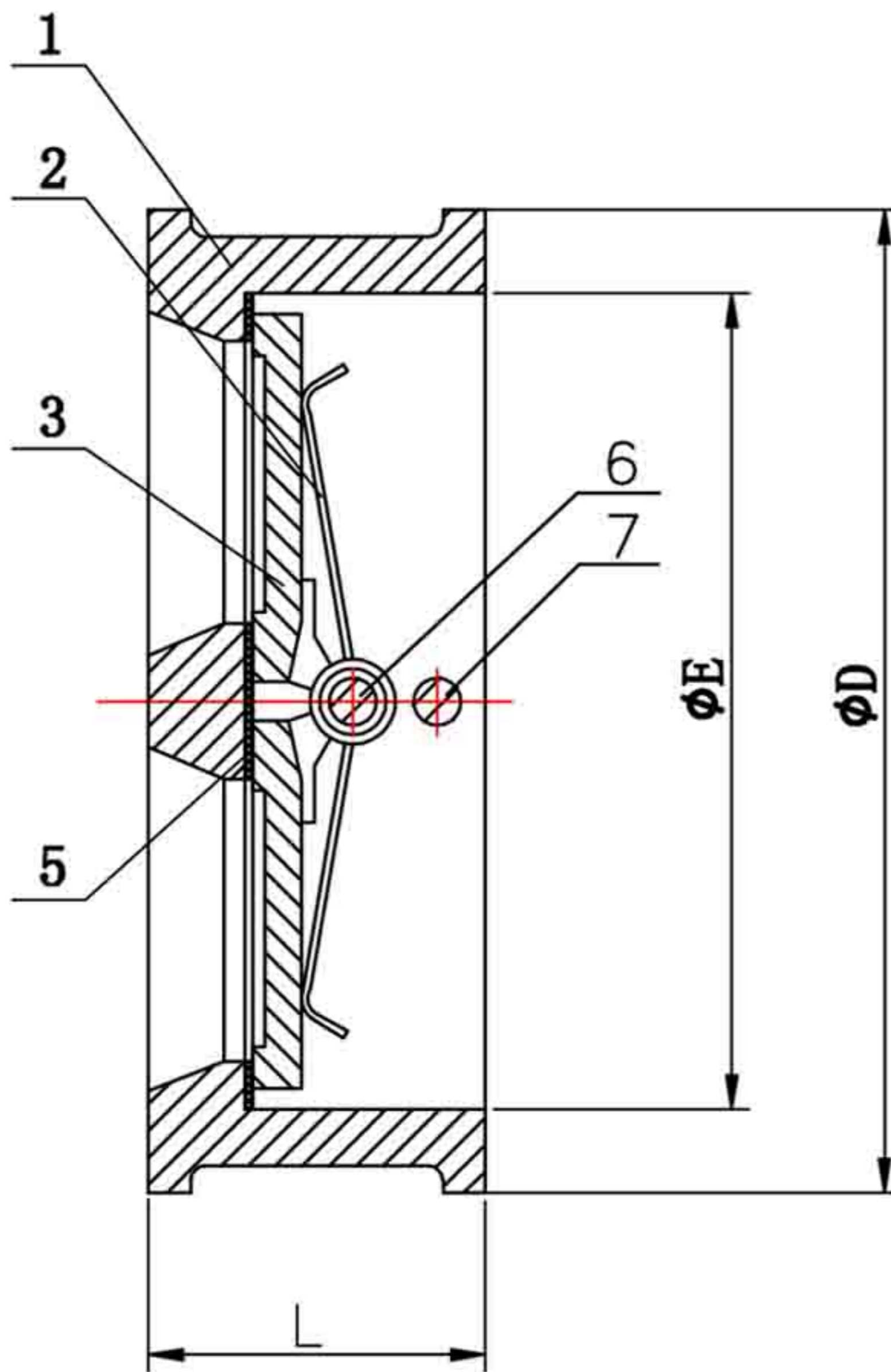


DUAL-PLATE WAFER CHECK VALVE

ARV-809WT(U)-S



Technical Data

Features :

Working Pressure : 1.6 Mpa

Testing : API598 DIN3230

Flange Standard : Universal

Face to Face : DIN3203 K3-1999

Medium : Fresh water, Sea water, Waste water,
Food Stuff, Steam, All kinds of Oil etc.

Working Temperature : EPDM : -10 ~ 120 °C

Material

No	PART	MATERIAL
1	BODY	GG25
2	SPRING	STAINLESS STEEL
3	DISC	CF8
4	RING	STEEL
5	SEAT	EPDM
6	SHAFT 1	304
7	SHAFT 2	304
8	GASKET	PTFE
9	GASKET	NBR
10	STUB SCREW	STEEL

Dimension in mm

SIZES	L	ØE	ØD
40	43	65	92
50	43	65	101
65	46	80	121
80	64	94	131
100	64	117	156
125	70	145	187
150	76	170	217
200	89	224	267
250	114	265	328
300	114	312	375
350	127	360	418
400	140	410	480
450	152	450	532
500	152	500	585
600	178	624	690