



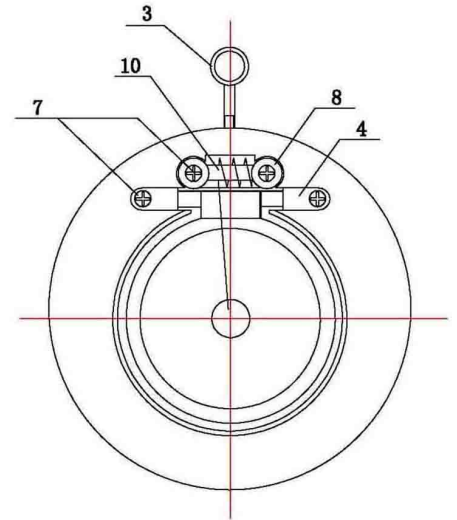
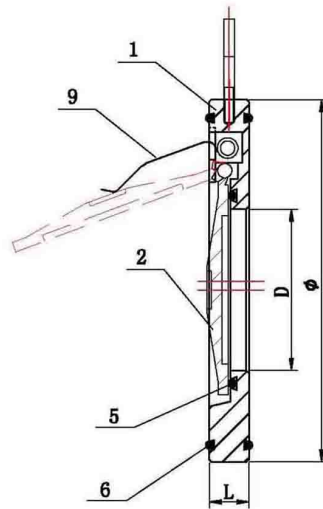
UNIMECH GROUP, MALAYSIA



A MEMBER OF UNIMECH GROUP, MALAYSIA

## SINGLE DOOR WAFER SWING CHECK VALVE PN40 FLANGE CONNECTION (SUPER THIN)

Model : ARV-103WT(U)



### Features :

Working Pressure : 4.0 Mpa

Seal Pressure Test : 4.4 Mpa

Body Pressure Test : 6.00 Mpa

Valve Design : ASME B16.34

Flange Standard : EN1092-2

Valve Inspection and Testing : API598-2004

Medium : Fresh water, Sea water, Waste water, Food Stuff,  
Steam, All kinds of Oil, Acid, Alkaline liquid etc.

Working Temperature : VITON : -20 ~ 135 °C

### Technical Data

#### Dimension in mm

| SIZE | L  | D   | H   |
|------|----|-----|-----|
| 50   | 16 | 32  | 108 |
| 65   | 17 | 40  | 129 |
| 80   | 17 | 54  | 144 |
| 100  | 18 | 70  | 170 |
| 125  | 18 | 92  | 196 |
| 150  | 20 | 114 | 226 |
| 200  | 22 | 154 | 293 |
| 250  | 26 | 200 | 355 |
| 300  | 32 | 235 | 420 |

#### Material

| No | PART   | MATERIAL |
|----|--------|----------|
| 1  | BODY   | CF8M     |
| 2  | DISC   | CF8M     |
| 3  | RING   | WCB      |
| 4  | PLATE  | SS316    |
| 5  | O-RING | VITON    |
| 6  | O-RING | VITON    |
| 7  | NUT    | SS316    |
| 8  | PLATE  | SS316    |
| 9  | SPRING | SS316    |
| 10 | AXLE   | SS316    |

The contents of this literature are for informative purposes only. Arita is not responsible for suitability or compatibility of these products in relation to system requirement. For specific requirements, consult Arita or its distributors. Arita reserves the right to change or modify product design without prior notice.