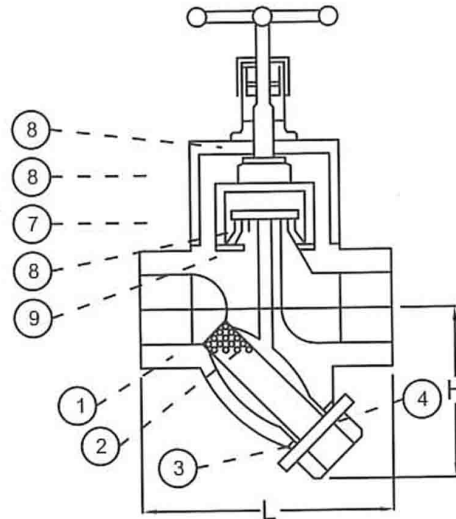




UNIMECH GROUP, MALAYSIA

## STEAM TRAP MANUAL TYPE SCREWED END

Model : ST-T6A



### Technical Data

#### Features :

- Thread : BSPT (BS21)
- Working Temperature : 120 °C
- Max. Temperature : 220 °C
- Test Pressure : Body 32 kgf/cm<sup>2</sup> (Hydrostatic)
- Working Pressure : 0.3 kgf/cm<sup>2</sup> - 16 kgf/cm<sup>2</sup>

#### Material

No	PART	MATERIAL
1	BODY	CAST IRON
2	SCREEN	SS 304
3	GASKET	ASBESTOS
4	NUT	CAST IRON
5	BODY CAP	CAST IRON
6	NUT	CAST IRON
7	DISC	SS 420
8	DRAIN PLUG	SS 304
9	WASHER	ASBESTOS

#### Dimension in mm

SIZES	L	H	WT. (KG)
15	98	68	2.5
20	105	75	3.0
25	115	88	3.5

The contents of this literature are for informative purposes only. Unimech is not responsible for suitability or compatibility of these products in relation to system requirement. For specific requirements, consult Unimech or its distributors. Unimech reserves the right to change or modify product design without prior notice.