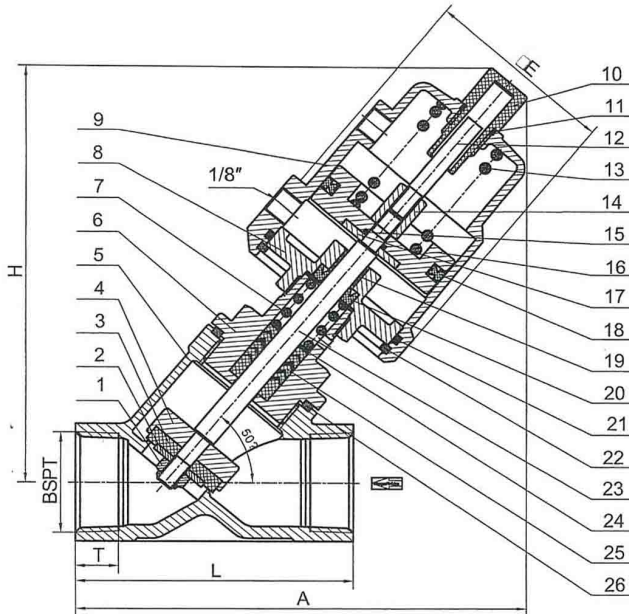


ANGLE Y-TYPE PISTON VALVE SCREWED END

Model : SYP-S16

Technical Data



Material

No	PART	MATERIAL
1	LOCK NUT	SS 316
2	FLAT MAT	SS 316
3	SEALING	TEFLON
4	SEAT	SS 316
5	BODY	CF8M
6	GLAND	CF8M
7	SPRING	06Cr18Ni9
8	ACTUATOR COVER	CF8
9	ACTUATOR BODY	CF8
10	INSTRUCTORS COVER	PC
11	O-RING	NBR
12	INSTRUCTIONS ROD	HPb59-1
13	ACTUATOR SPRING	60SI2MnA
14	STEM NUT	HPb59-1
15	O-RING	NBR
16	PISTON	6063
17	FLAT MAT	SS 304
18	OIL SEAL	FPM
19	BUSH	HPb59-1
20	V-OIL SEAL	FPM
21	O-RING	NBR
22	RETAINING RING	SS 304
23	STEM	SS 316
24	FLAT MAT	SS 304
25	V-PACKING	RPTFE
26	GASKET	PTFE

Features :

Nominal Pressure : 1.6 Mpa
 Fluid Temperature : -20~180°C
 Applicable Media : Water, Oil, Gas
 Connection : Threaded to BSPT

Dimension in mm

DN	L	A	H	T
15	68	133	126	11
20	75	137	131	14
25	90	174	165	15
32	115	188	175	17
40	115	190	178	17
50	135	205	195	20