



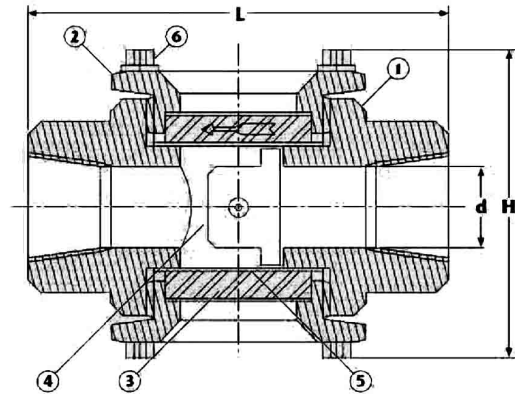
UNIMECH GROUP, MALAYSIA



A MEMBER OF UNIMECH GROUP, MALAYSIA

SIGHT GLASS SCREWED END WITH FLAPPER

Model : ARF-108SE-F



Technical Data

Features :

End Connection : Threaded End to BSPT

Applicable Temperature : 120°C

Pressure Rating : 10 kgf/cm²

Material

No	PART	MATERIAL
1	BODY	CFM / CF8M
2	CAP	CFM / CF8M
3	GLASS	TEMPERED GLASS
4	FLAPPER	SS 304 / SS 316
5	GASKET	PTFE
6	BOLTS & NUTS	SS 304 / SS 316

Dimension in mm

DN	L	H	Weight (kg)
15	93	65	0.665
20	98	70	0.735
25	118	81	1.28
32	137	100	2.115
40	142	108	2.295
50	156	124	3.56

The contents of this literature are for informative purposes only. Arita is not responsible for suitability or compatibility of these products in relation to system requirement. For specific requirements, consult Arita or its distributors. Arita reserves the right to change or modify product design without prior notice.

Our Ref. : AR/SGT- 08/21