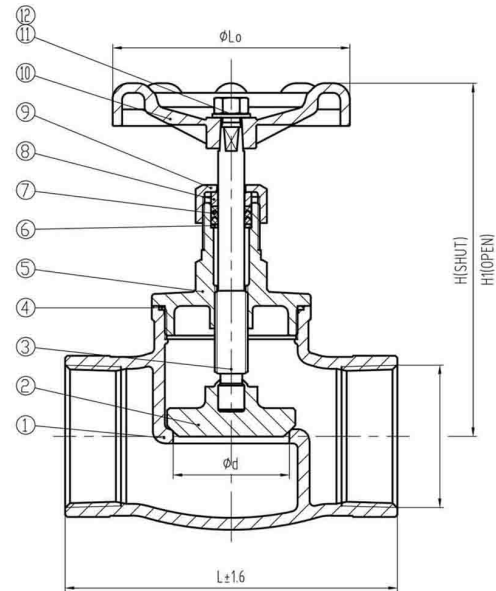


## GLOBE VALVE SCREWED END

Model : ARV-102SE



### Technical Data

#### Specifications :

Nominal Pressure : 200 PSI  
 Shell Test : 2.1 Mpa  
 Seal Test : 1.6 Mpa  
 Applicable Temperature : -29~150°C  
 Applicable Media : Water, Oil, Gas

#### Material

| No | PART          | MATERIAL        |
|----|---------------|-----------------|
| 1  | BODY          | A351 CF8 / CF8M |
| 2  | DISC          | A351 CF8 / CF8M |
| 3  | STEM          | A 276 304 / 316 |
| 4  | GASKET        | PTFE            |
| 5  | BONNET        | A351 CF8 / CF8M |
| 6  | WASHER        | A240 304 / 316  |
| 7  | PACKING       | PTFE            |
| 8  | GLAND         | 304 / 316       |
| 9  | BONNET NUT    | A351 CF8 / CF8M |
| 10 | HANDWHEEL     | ZL101           |
| 11 | SPRING WASHER | 304 / 316       |
| 12 | NUT           | A2-70 / 304     |

#### Dimension in mm

| DN | L   | d  | Lo  | H   | H1  |
|----|-----|----|-----|-----|-----|
| 15 | 65  | 14 | 70  | 86  | 94  |
| 20 | 75  | 20 | 70  | 92  | 100 |
| 25 | 90  | 24 | 80  | 103 | 117 |
| 32 | 105 | 31 | 100 | 122 | 138 |
| 40 | 120 | 38 | 100 | 130 | 148 |
| 50 | 140 | 49 | 100 | 150 | 175 |

The contents of this literature are for informative purposes only. Arita is not responsible for suitability or compatibility of these products in relation to system requirement. For specific requirements, consult Arita or its distributors. Arita reserves the right to change or modify product design without prior notice.