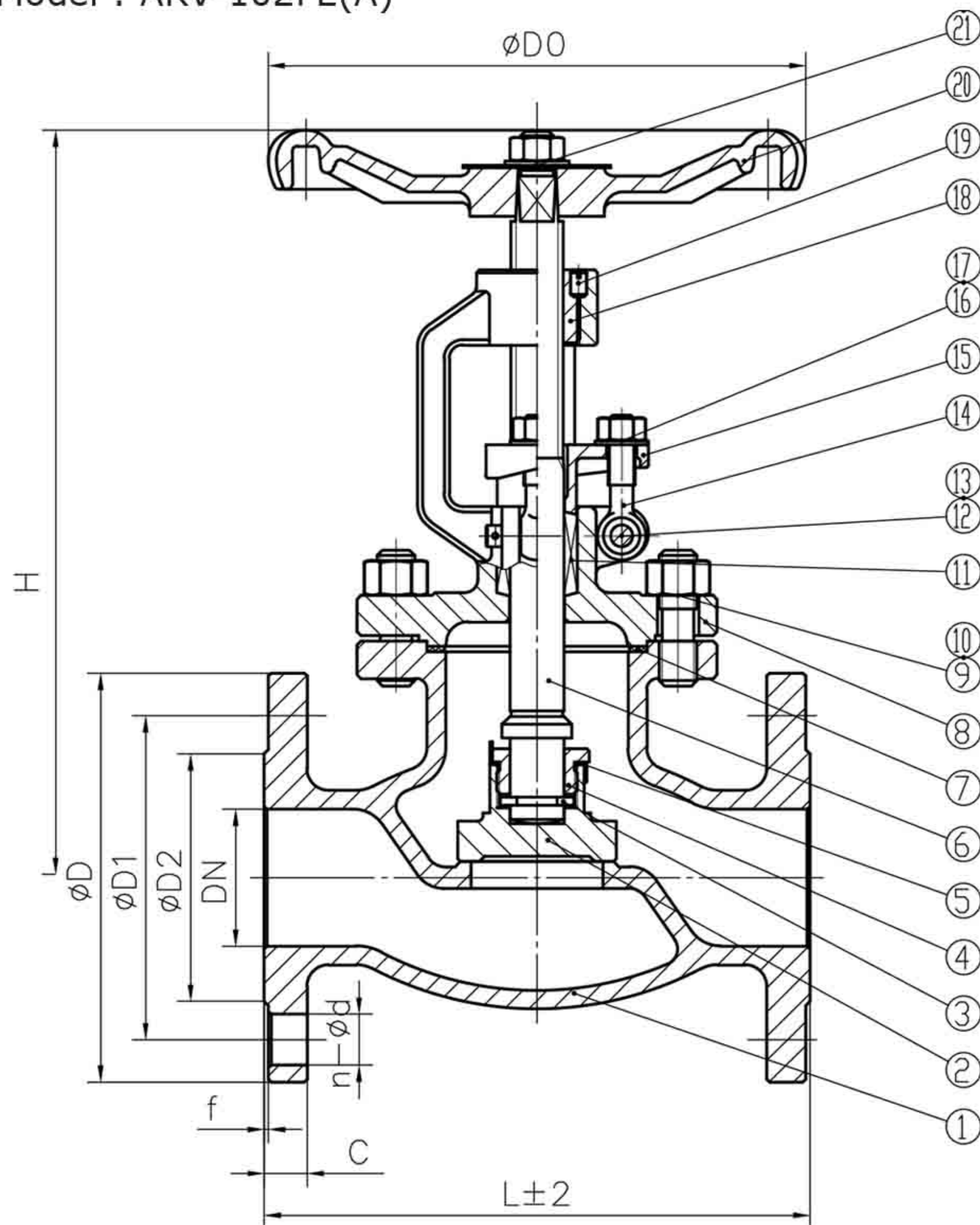


GLOBE VALVE FLANGED END ANSI 150

Model : ARV-102FE(A)



Nominal pressure	150 LB	
Test Pressure	Shell Test	3.0 Mpa
	Seal Test	2.2 Mpa
Applicable Medium	Water, Oil, Gas	
Applicable Temperature	-29 ~ 425 °C	

Dimension in mm

SIZE		L	D	D1	D2	C	f	n-Ød	W	H
DN	in.									
15	1/2"	108	90	60.3	34.9	10	1.6	4-Ø16	120	185
20	3/4"	117	100	69.9	42.9	11	1.6	4-Ø16	120	193
25	1"	127	110	79.4	50.8	12	1.6	4-Ø16	140	208
32	1.1/4"	140	115	88.9	63.5	13	1.6	4-Ø16	160	222
40	1.1/2"	165	125	98.4	73	15	1.6	4-Ø16	180	252
50	2"	203	150	120.7	92.1	16	1.6	4-Ø19	200	278
65	2.1/2"	216	180	139.7	104.8	18	1.6	4-Ø19	240	321
80	3"	241	190	152.4	127	19	1.6	4-Ø19	280	355
100	4"	292	230	190.5	157.2	24	1.6	8-Ø19	300	412
125	5"	356	255	215.9	185.7	24	1.6	8-Ø22	320	455
150	6"	406	280	241.3	215.9	26	1.6	8-Ø22	360	510
200	8"	495	345	298.5	270	29	2	8-Ø22	-	-
250	10"	622	405	362	324	30.6	2	12-Ø25	-	-
300	12"	698	485	431.8	381	32.2	2	12-Ø25	-	-
350	14"	787	535	476.3	413	35.4	2	12-Ø29	-	-

Features :

Face to Face : ASME B16.10

End Flange dimension according to ASME B16.5

Material

No	PART	MATERIAL	
1	BODY	A351 CF8	A351 CF8M
2	DISC	A351 CF8	A351 CF8M
3	SPLIT COLLAR	SS304	SS316
4	DISC CAP	SS304	SS316
5	LOCK WASHER	SS304	SS316
6	STEM	A276 304	A276 316
7	GASKET	SPIRAL WOUND GASKET	
8	BONNET	A351 CF8	
9	BOLT	A193 B8	A193 B8M
10	NUT	A194 8	A194 8M
11	PACKING	FLEXIBLE GRAPHITE	
12	SPLIT COTTERS	SS304	
13	PIN	SS304	
14	EYE BOLT	A193 B8	A193 B8M
15	GLAND	A351 CF8	
16	WASHER	SS304	
17	NUT	A194 8	A194 8M
18	STEM NUT	ZCuAl10Fe3	
19	SCREW	A193 B8	A193 B8M
20	HANDWHEEL	IRON AND STEEL	
21	NAME PLATE	STEEL	

The contents of this literature are for informative purposes only. Arita is not responsible for suitability or compatibility of these products in relation to system requirement. For specific requirements, consult Arita or its distributors. Arita reserves the right to change or modify product design without prior notice.