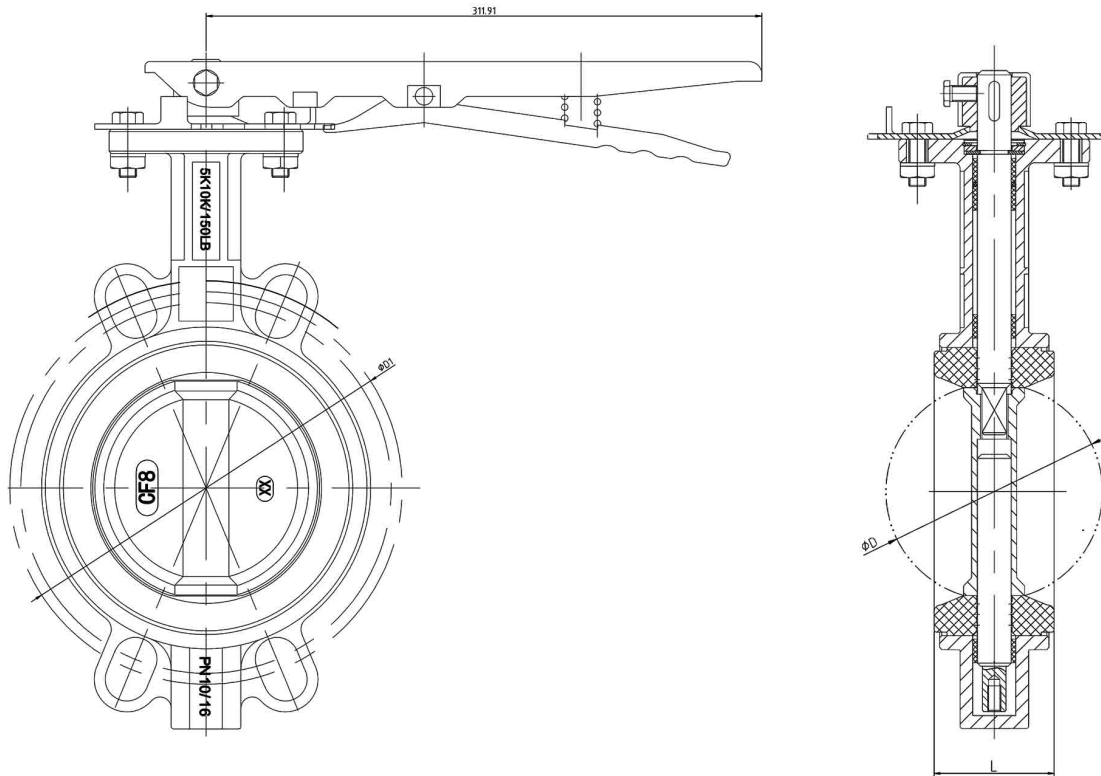


WAFER TYPE BUTTERFLY VALVE UNIVERSAL FLANGED

Model : ARV-212WT(U)



Material

Nominal Pressure		
Test Pressure	Shell Test Pressure	2.4 Mpa
	Air Seal Test	1.75 Mpa
Suitable Temperature		-20 ~ 80 °C
Suitable Medium		Water, Oil, Gas

No	PART	MATERIAL
1	BODY	WCB
2	DISC	CF8
3	SEAT	NBR
4	STEM	416

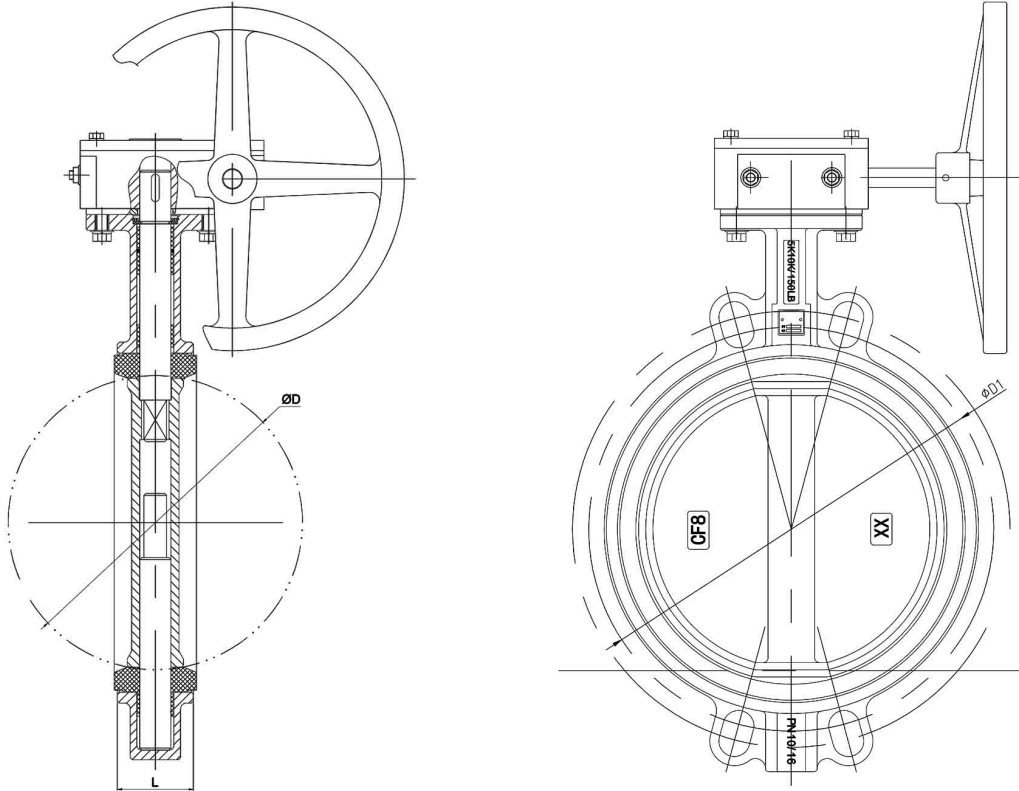
Dimension in mm

SIZE	DN	L	ØD
2"	50	42.0	52.9
2.1/2"	65	44.7	64.5
3"	80	45.2	78.8
4"	100	52.1	104.0
5"	125	54.4	123.3
6"	150	55.8	155.6

The contents of this literature are for informative purposes only. Arita is not responsible for suitability or compatibility of these products in relation to system requirement. For specific requirements, consult Arita or its distributors. Arita reserves the right to change or modify product design without prior notice.

WAFER TYPE BUTTERFLY VALVE UNIVERSAL FLANGED

Model : ARV-212WT(U)



Nominal Pressure		
Test Pressure	Shell Test Pressure	2.4 Mpa
	Air Seal Test	1.75 Mpa
Suitable Temperature		-20 ~ 80 °C
Suitable Medium		Water, Oil, Gas

Material

No	PART	MATERIAL
1	BODY	WCB
2	DISC	CF8
3	SEAT	NBR
4	STEM	416

Dimension in mm

SIZE	DN	L	ØD
4"	100	52.1	104.0
5"	125	54.4	123.3
6"	150	55.8	155.6
8"	200	60.6	205.5
10"	250	65.6	250.5
12"	300	76.9	301.6

The contents of this literature are for informative purposes only. Arita is not responsible for suitability or compatibility of these products in relation to system requirement. For specific requirements, consult Arita or its distributors. Arita reserves the right to change or modify product design without prior notice.