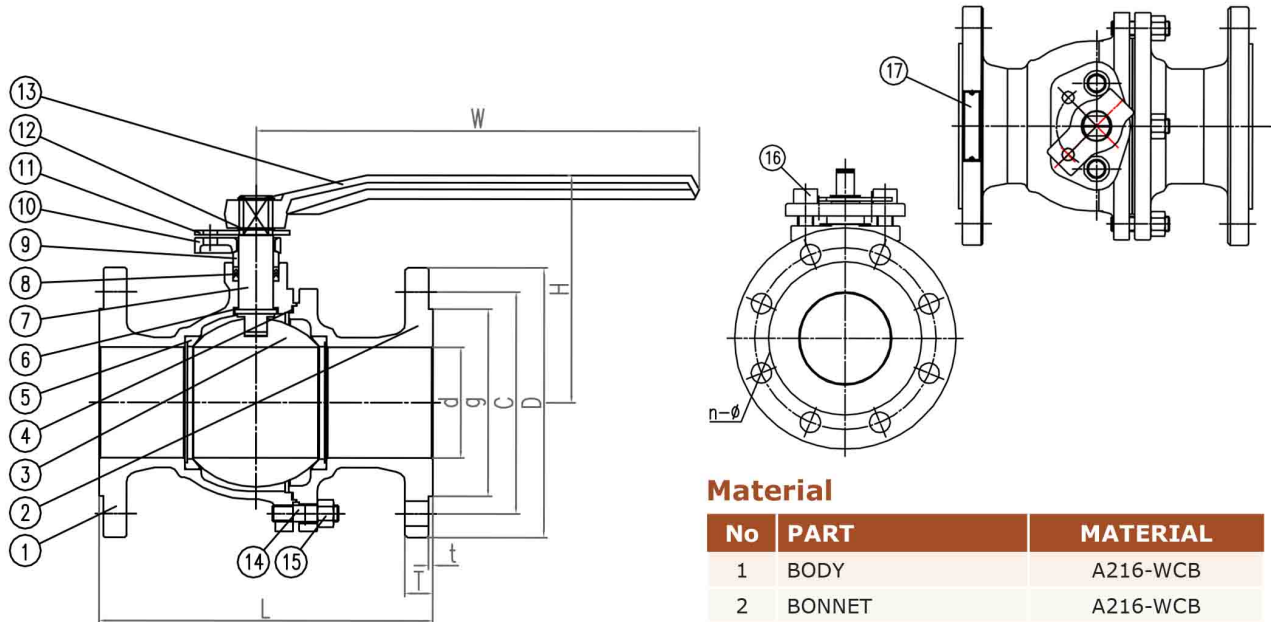


BALL VALVE FLANGED END ANSI 150

Model : ARV-200FE(A)



Features :

Design according to ANSI B16.34
 Face to Face : ASME B16.10
 End Flange according to ASME B16.5
 Inspection & Testing : API 598

Nominal Pressure		150 LB
Test Pressure	Shell Test Pressure	3.0 Mpa
	Air Seal Test	0.5 ~ 0.7 Mpa
Suitable Temperature		-29 ~ 180 °C
Suitable Medium		Water, Gas, Oil

Material

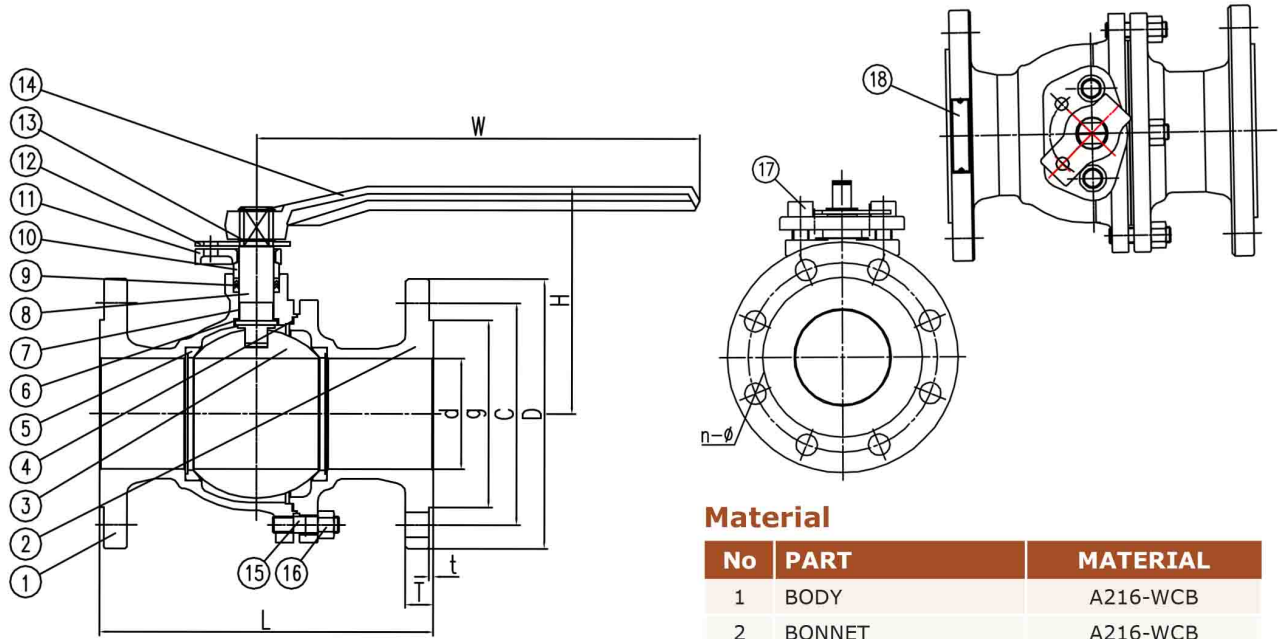
No	PART	MATERIAL
1	BODY	A216-WCB
2	BONNET	A216-WCB
3	BALL	A276-304
4	GASKET	PTFE
5	BALL SEATS	RPTFE
6	THRUST WASHER	PTFE
7	STEM	2Cr13
8	PACKING	PTFE
9	GLAND	A276-304
10	GLAND FLANGE	A216-WCB
11	LOCK PLATE	A276-304
12	RETAINING RING	65Mn
13	HANDLE	QT400-15
14	BONNET BOLT	A193-B7
15	NUT	A194-2H
16	HEX.BOLT	A193-B7
17	NAMEPLATE	A276 304

Dimension in mm

SIZE	d	L	D	C	g	T	t	n-Ø	H	W
1/2"	15	108	90	60.3	35	10	2	4-Ø16	73	115
3/4"	20	117	100	69.9	43	11	2	4-Ø16	77	115
1"	25	127	110	79.4	51	12	2	4-Ø16	94	150
1.1/4"	32	140	115	88.9	64	13	2	4-Ø16	95	150
1.1/2"	40	165	125	98.4	73	15	2	4-Ø16	116	200

BALL VALVE FLANGED END ANSI 150

Model : ARV-200FE(A)



Features :

Design according to ANSI B16.34
 Face to Face : ASME B16.10
 End Flange according to ASME B16.5
 Inspection & Testing : API 598

Nominal Pressure		150 LB
Test Pressure	Shell Test Pressure	3.0 Mpa
	Air Seal Test	0.5 ~ 0.7 Mpa
Suitable Temperature		-29 ~ 180 °C
Suitable Medium		Water, Gas, Oil

Material

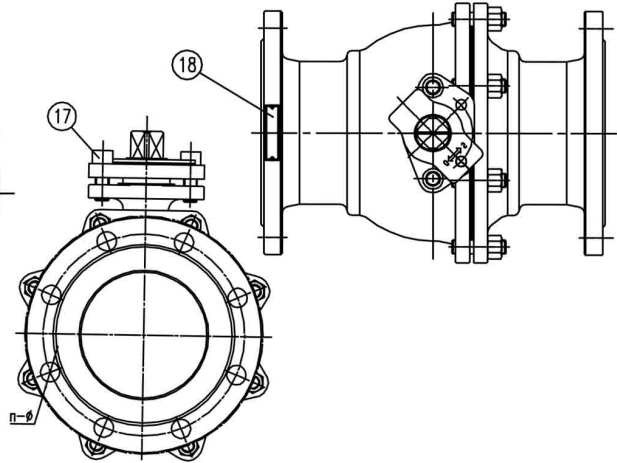
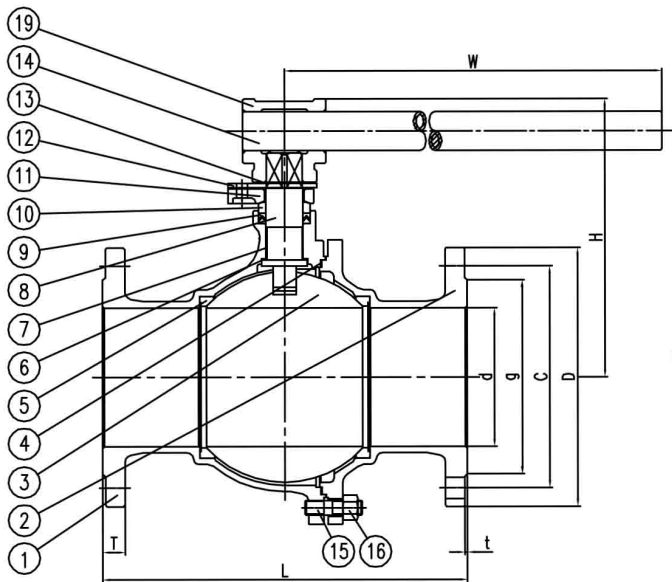
No	PART	MATERIAL
1	BODY	A216-WCB
2	BONNET	A216-WCB
3	BALL	A276-304
4	GASKET	PTFE
5	BALL SEATS	RPTFE
6	THRUST WASHER	PTFE
7	STEM BUSHING	PTFE
8	STEM	2Cr13
9	PACKING	PTFE
10	GLAND	A276-304
11	GLAND FLANGE	A216-WCB
12	LOCK PLATE	A276-304
13	RETAINING RING	65Mn
14	HANDLE	QT400-15
15	BONNET BOLT	A193-B7
16	NUT	A194-2H
17	HEX.BOLT	A193-B7
18	NAMEPLATE	A276 304

Dimension in mm

SIZE	d	L	D	C	g	T	t	n-Ø	H	W
2"	50	178	150	120.7	92	16	2	4-Ø19	124	200
2.1/2"	65	190	180	139.7	105	18	2	4-Ø19	137	240
3"	80	203	190	152.4	127	19	2	4-Ø19	165	320
4"	100	229	230	190.5	157	24	2	8-Ø19	196	450

BALL VALVE FLANGED END ANSI 150

Model : ARV-200FE(A)



Material

No	PART	MATERIAL
1	BODY	A216-WCB
2	BONNET	A216-WCB
3	BALL	A276-304
4	GASKET	PTFE
5	BALL SEATS	RPTFE
6	THRUST WASHER	PTFE
7	STEM BUSHING	PTFE
8	STEM	2Cr13
9	PACKING	PTFE
10	GLAND	A276-304
11	GLAND FLANGE	A216-WCB
12	LOCK PLATE	A276-304
13	RETAINING RING	65Mn
14	HANDLE	QT400-15
15	BONNET BOLT	A193-B7
16	NUT	A194-2H
17	HEX.BOLT	A193-B7
18	NAMEPLATE	A276 304
19	HANDLE HUB	A216-WCB

Features :

Design according to ANSI B16.34

Face to Face : ASME B16.10

End Flange according to ASME B16.5

Inspection & Testing : API 598

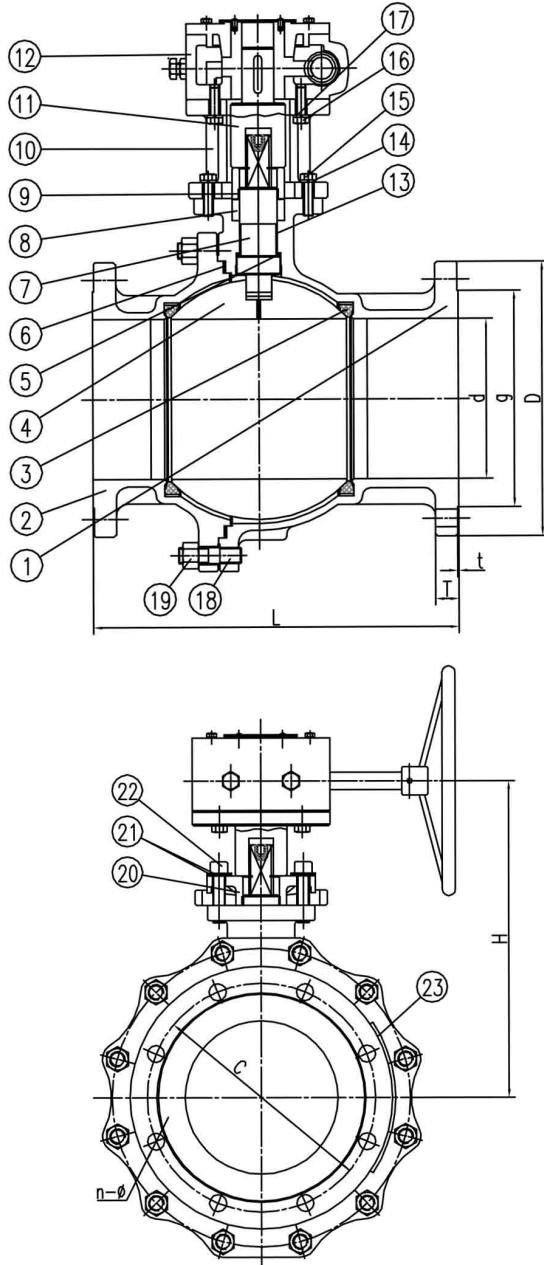
Nominal Pressure		150 LB
Test Pressure	Shell Test Pressure	3.0 Mpa
	Air Seal Test	0.5 ~ 0.7 Mpa
Suitable Temperature		-29 ~ 180 °C
Suitable Medium		Water, Gas, Oil

Dimension in mm

SIZE	d	L	D	C	g	T	t	n-Ø	H	W
5"	125	356	255	215.9	186	24	2	8-Ø22	284	800
6"	150	394	280	241.3	216	26	2	8-Ø22	301	800
8"	203	457	345	298.5	270	29	2	8-Ø25	396	940
10"	250	533	405	362	324	31	2	12-Ø25	444	940

BALL VALVE FLANGED END ANSI 150

Model : ARV-200FE(A)



Features :

Design according to ANSI B16.34

Face to Face : ASME B16.10

End Flange according to ASME B16.5

Inspection & Testing : API 598

Nominal Pressure		150 LB
Test Pressure	Shell Test	3.0 Mpa
	Air Seal Test	0.5 ~ 0.7 Mpa
Suitable Temperature		-29 ~ 180 °C
Suitable Medium		Water, Gas, Oil

Material

No	PART	MATERIAL
1	BODY	A216-WCB
2	BONNET	A216-WCB
3	BALL SEATS	RPTFE
4	BALL	A276-304
5	THRUST SEAL	PTFE
6	GASKET	PTFE
7	STEM	2Cr13
8	PACKING	PTFE
9	BUSHING	PTFE
10	YOKE	A216-WCB
11	COUPLING	2Cr13
12	WORMGEAR ACTUATOR	C.S.
13	STEM BUSHING	PTFE
14	SPRING GASKET	65Mn
15	BOLT	A193-B7
16	BOLT	A193-B7
17	SPRING GASKET	65Mn
18	BONNET BOLT	A193-B7
19	NUT	A194-2H
20	GLAND FLANGE	A216-WCB
21	GASKET	A276-301
22	BOLT	A193-B7
23	NAMEPLATE	A276-304

Dimension in mm

SIZE	d	L	D	C	g	T	t	n-Ø	H
8"	203	457	345	298.5	270	29	2	8-Ø22	413.5
10"	250	533	405	362	324	31	2	12-Ø25	454.5
12"	300	610	485	431.8	381	32	2	12-Ø25	540

The contents of this literature are for informative purposes only. Arita is not responsible for suitability or compatibility of these products in relation to system requirement. For specific requirements, consult Arita or its distributors. Arita reserves the right to change or modify product design without prior notice.