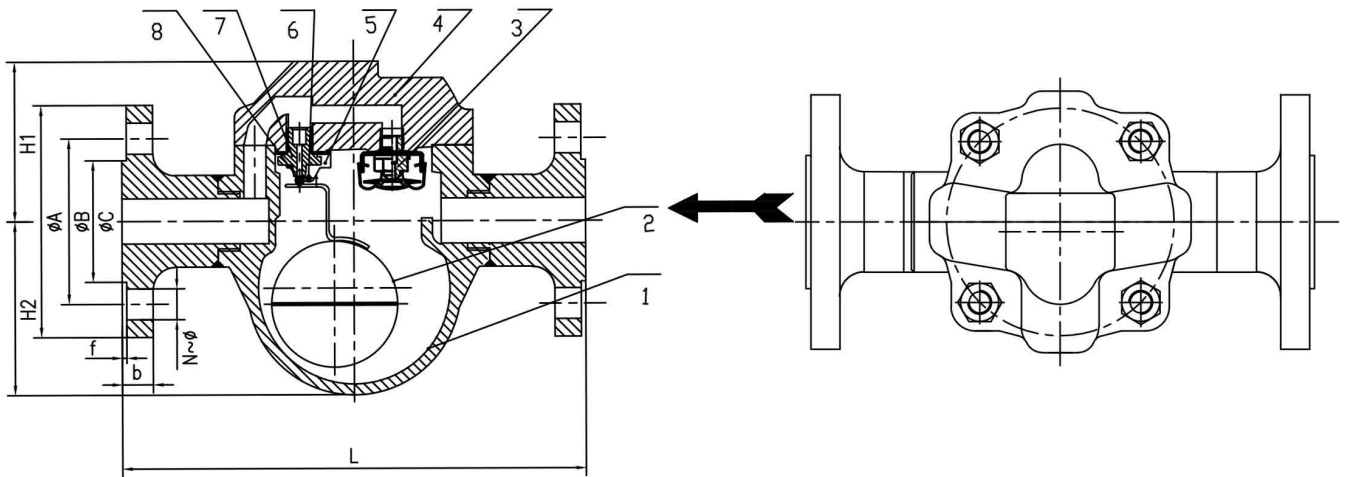


BALL FLOAT STEAM TRAP FLANGED END PN 40

Model : FT44-32



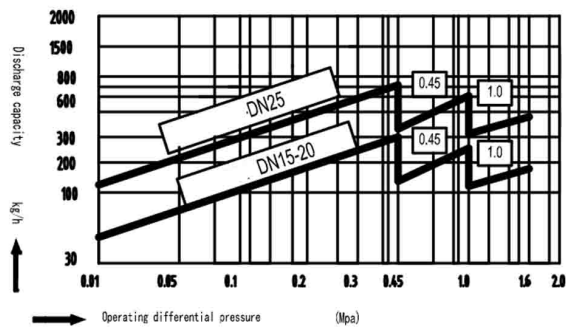
Features :

- Body Design : PN40
- PMA Max. allowable pressure : 40 bar g @ 100°C
- TMA Max. allowable temperature : 250 °C
- PMO Max. Operating Pressure for steam service : 32 bar g
- TMO Max. Operating Temperature : 250 °C

Technical Data

Material

No	PART	MATERIAL
1	BODY	CAST STEEL WCB
2	FLOAT BALL	SS 304
3	VENTING GROUPWARE	SS 304
4	BONNET	CAST STEEL WCB
5	BRACKET	2Cr13
6	PIN	35
7	SEAT	2Cr13
8	DISC	2Cr13

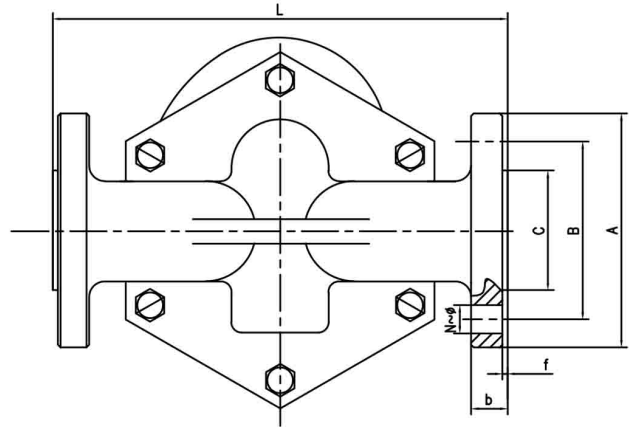
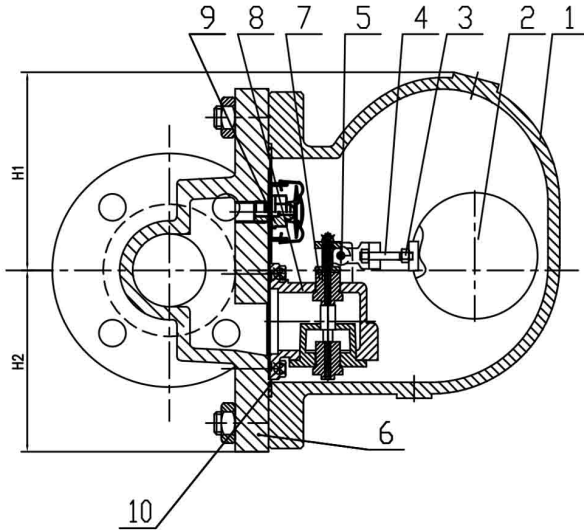


Dimension in mm

DN	L	H1	H2	A	B	C	b	f	N-Ø
15	170	85	65	95	65	45	16	2	4 ~ Ø14
20	170	85	65	105	75	55	16	2	4 ~ Ø14
25	190	95	70	115	85	65	16	2	4 ~ Ø14

BALL FLOAT STEAM TRAP FLANGED END PN 40

Model : FT44-32



Features :

Body Design : PN40

PMA Max. allowable pressure : 40 bar g @ 100°C

TMA Max. allowable temperature : 250 °C

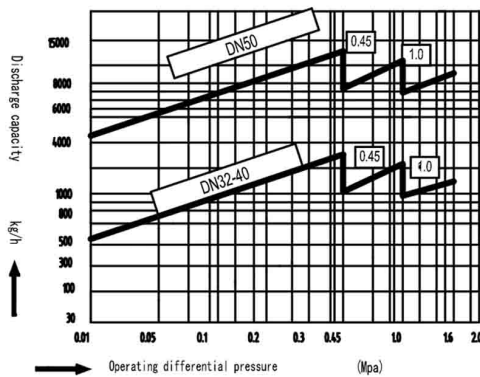
PMO Max. Operating Pressure for steam service : 32 bar g

TMO Max. Operating Temperature : 250 °C

Technical Data

Material

No	PART	MATERIAL
1	BODY	CAST STEEL WCB
2	FLOAT BALL	SS 304
3	NUT GROUPWARE	SS 304
4	BRACKET	SS 304
5	PIN	SS 304
6	BONNET	CAST STEEL WCB
7	DISC	2Cr13
8	SEAT	SS 304
9	VENTING	SS 304
10	GASKET	304+GRAPHITE



Dimension in mm

DN	L	H1	H2	A	B	C	b	f	N-Ø
32	230	135	125	140	100	78	18	2	4-Ø18
40	230	135	125	150	110	88	18	3	4-Ø18
50	230	135	125	165	125	102	20	3	4-Ø18