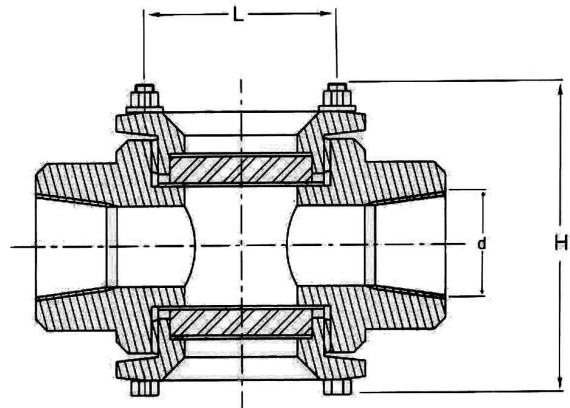




UNIMECH GROUP, MALAYSIA

## SIGHT GLASS SCREWED END with FLAPPER

Model : ARF-808SE-F



### Technical Data

#### Features :

Thread : BSPT (BS21)

Working Temperature : 110 °C

Working Pressure : 10 kgf/cm<sup>2</sup>

#### Material

No	PART	MATERIAL
1	BODY	CAST IRON
2	CAP	CAST IRON
3	GLASS	TEMPERED GLASS
4	FLAPPER	SS 304
5	GASKET	COMPRESSED ASBESTOS FIBRE

#### Dimension in mm

SIZES	L	H	WT. (KG)
15	93	65	0.78
20	98	76	0.93
25	118	86	1.54
32	137	107	2.87
40	142	117	3.14
50	156	138	4.27

The contents of this literature are for informative purposes only. Unimech is not responsible for suitability or compatibility of these products in relation to system requirement. For specific requirements, consult Unimech or its distributors. Unimech reserves the right to change or modify product design without prior notice.