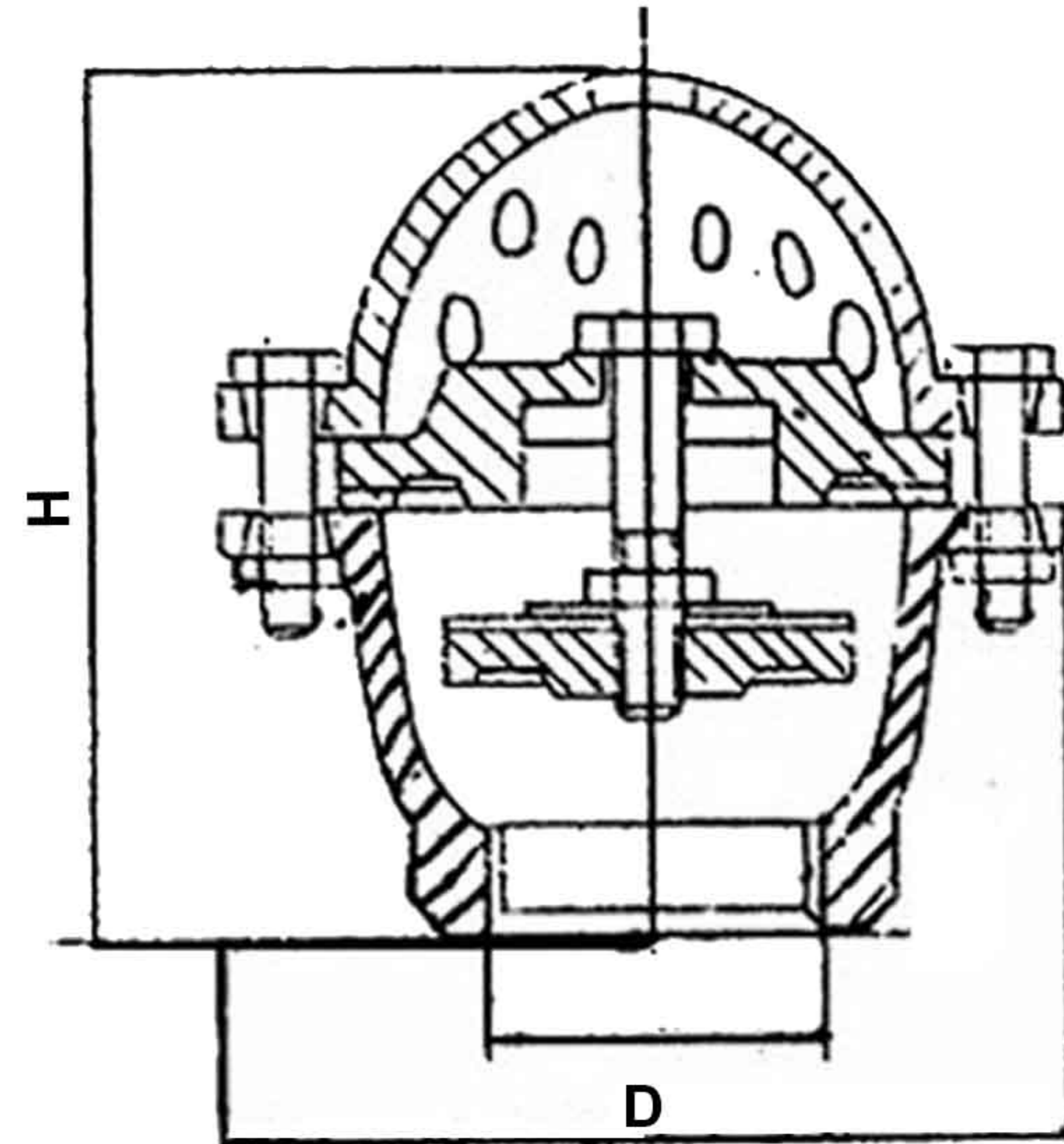


FOOT VALVE SCREWED END

Model : ARV-817SE



Technical Data

Application :

The Valve is fitted at the end of the pipe of water pump, which can avoid adverse current and prevent foreign substance from being drawn into pump. It is suitable for use on water.

Dimension in mm

SIZES	D	H	WT. (KG)
15	62	60	0.26
20	78	76	0.375
25	94	90	0.7
32	101	101	0.86
40	116	107	1.25
50	145	130	2.2
65	170	155	3.3
80	200	185	6.3
100	247	228.5	14.25

Features :

Working Pressure : 6 bar
 Strength Pressure : 9 bar
 Seal Test Pressure : 10 bar
 Suitable Temperature : < 60 °C
 Suitable Medium : Water

Material

No	PART	MATERIAL
1	BODY	CAST IRON