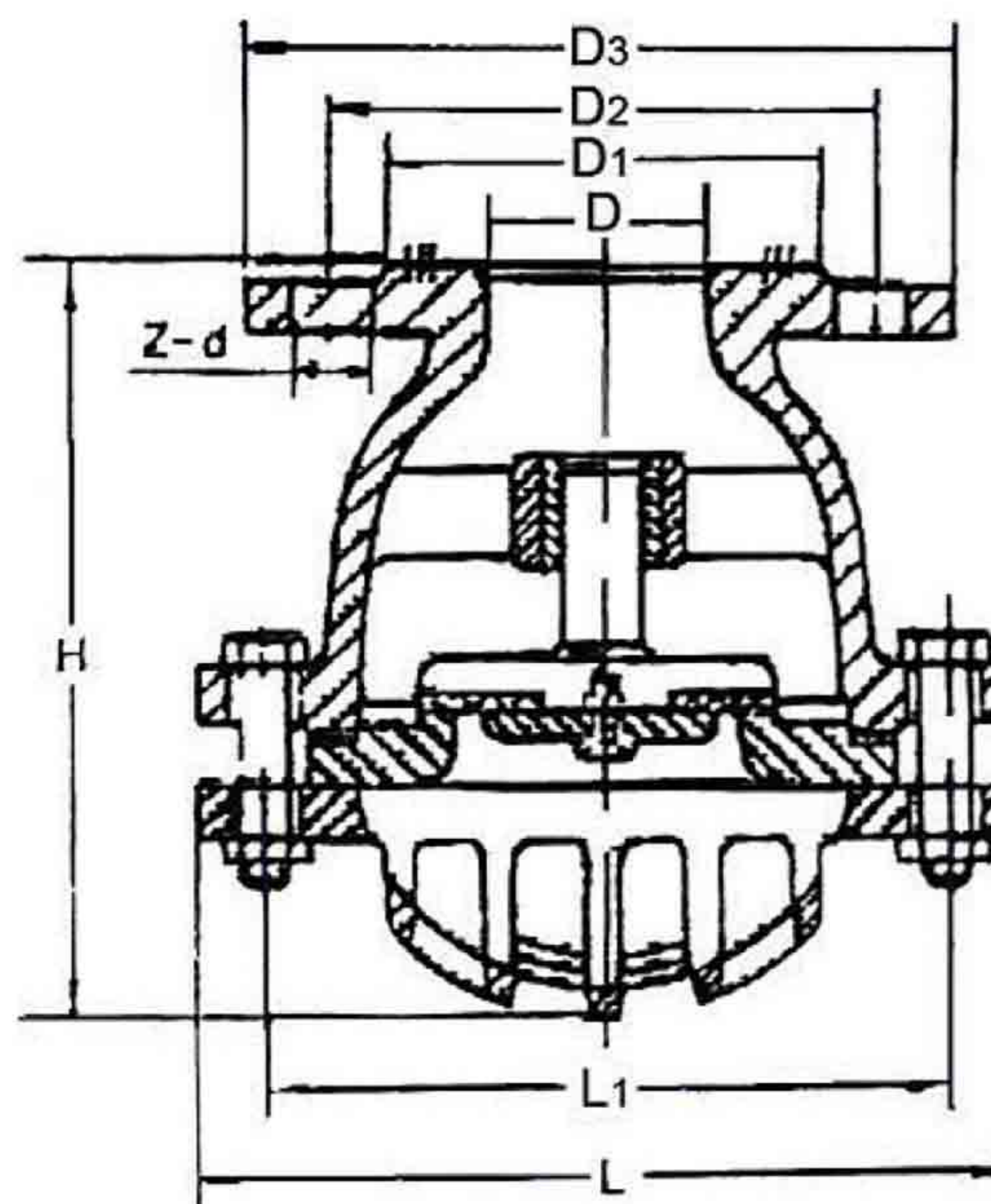


FOOT VALVE FLANGED END JIS 10K

Model : ARV-817FE(J)



Technical Data

Application :

The Valve is fitted at the end of the pipe of water pump, which can avoid adverse current and prevent foreign substance from being drawn into pump. It is suitable for use on water.

Features :

Working Pressure : 6 bar

Strength Pressure : 9 bar

Seal Test Pressure : 10 bar

Suitable Temperature : < 60 °C

Suitable Medium : Water

Material

No	PART	MATERIAL
1	BODY	CAST IRON

Dimension in mm

SIZES	DN	L	L1	H	D	D1	D2	D3	Z-d	WT-kg
2"	50	154	128	150	50	90	120	140	4-Ø14	7
2.1/2"	65	170	146	170	65	110	140	160	4-Ø14	8
3"	80	198	174	210	80	125	150	185	4-Ø14	10
4"	100	250	222	240	100	145	175	205	4-Ø18	17
5"	125	300	270	280	125	170	210	235	8-Ø18	25
6"	150	331	302	346	150	190	240	260	8-Ø18	32.5
8"	200	426	394	395	200	255	290	315	8-Ø18	53.5
10"	250	480	445	445	250	310	355	370	12-Ø18	78
12"	300	548	506	510	300	362	400	435	12-Ø23	110