



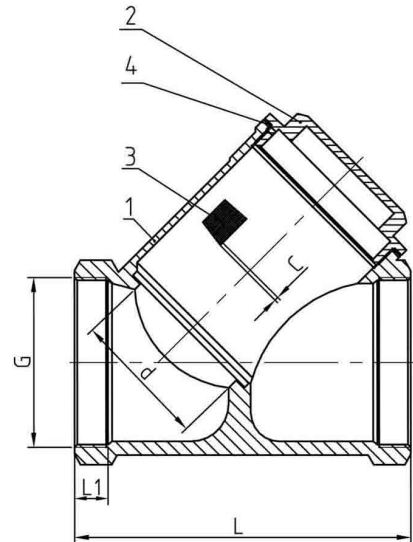
UNIMECH GROUP, MALAYSIA



A MEMBER OF UNIMECH GROUP, MALAYSIA

Y-STRAINER SCREWED END

Model : ARV-105SE



Technical Data

Specification

Nominal Pressure	Class 200
Shell Test Pressure	2.4 Mpa
Seat Test Pressure	0.6 Mpa
Applicable Temperature	-20~ 120°C
Applicable Media	Water, Oil, Gas

Material

No	PART	MATERIAL
1	BODY	BRASS
2	BONNET	BRASS
3	NET	SS 304
4	PACKING GLAND	Polysalfone

Dimension in mm

Size		L	L1	d	c	G
DN	in.					
15	1/2"	55	14	15	diamond (2x1.4) /Ø18xØ17x27.5	1/2"
20	3/4"	71	15	15	diamond (2x1.4) /Ø23.5xØ22.5x38	1/2"
25	1"	80	16	24	diamond (3x1.5) /Ø29xØ27.8x45	1/2"
32	1.1/4"	90	16	30	diamond (3x1.5) /Ø34xØ32.8x50	1/2"
40	1.1/2"	101	16	35	diamond (3x1.5) /Ø40xØ38.8x61	1/2"
50	2"	125	18	44	diamond (2x1.5) /Ø52xØ50.5x76	1/2"
65	2.1/2"	176	18	55	circular (2x1.4) /Ø18xØ17x27.5	1/2"
80	3"	187	19	70	diamond (2x1.4) /Ø18xØ17x27.5	1/2"
100	4"	205	24	85	diamond (2x1.4) /Ø18xØ17x27.5	1/2"

The contents of this literature are for informative purposes only. Arita is not responsible for suitability or compatibility of these products in relation to system requirement. For specific requirements, consult Arita or its distributors. Arita reserves the right to change or modify product design without prior notice.