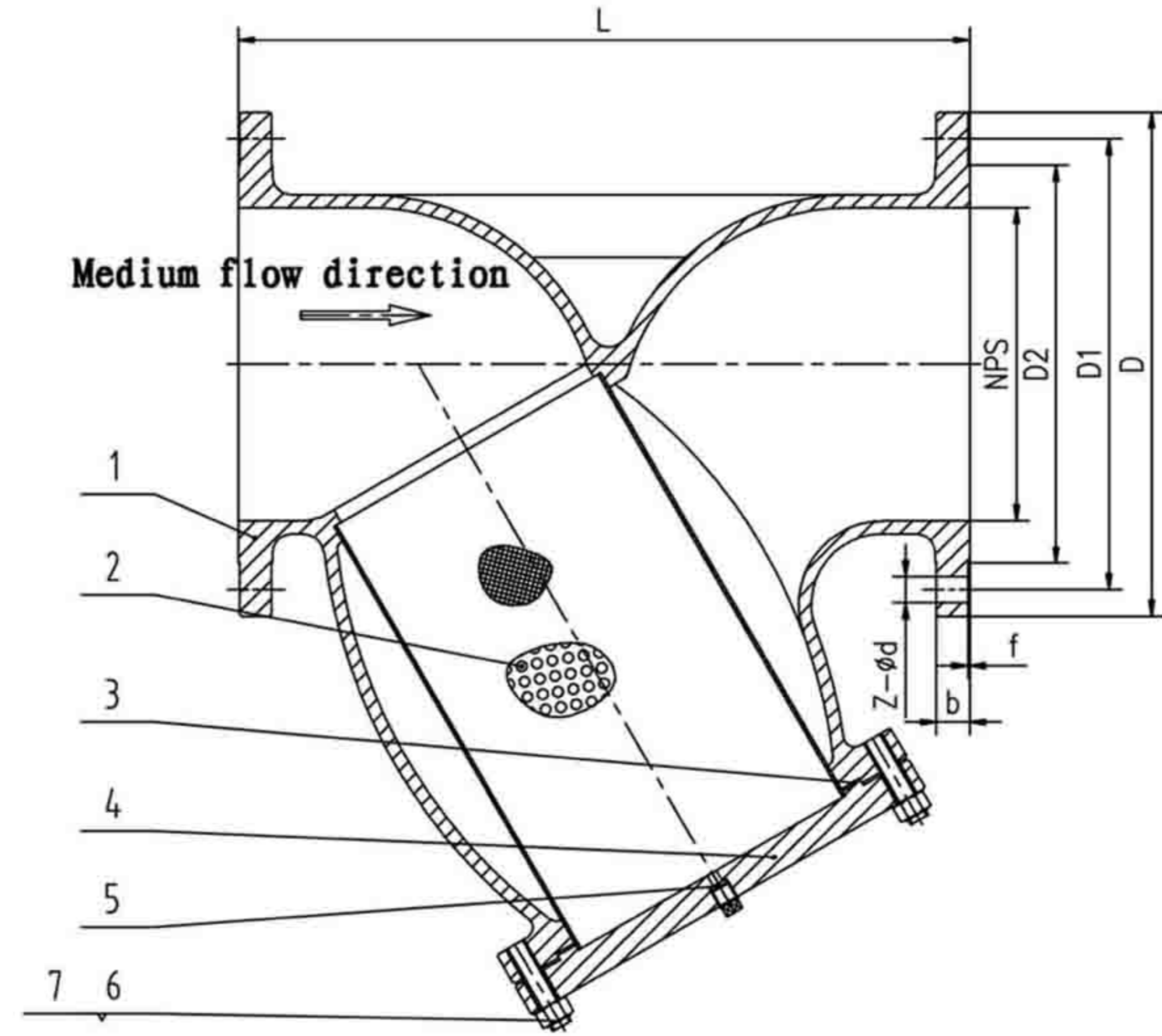


## Y-STRAINER FLANGED END 150 LB

Model : ARV-205FE(A)



### Technical Data

#### Specification

<b>Nominal Pressure</b>	<b>CL 150</b>
<b>Shell Test Pressure</b>	3.0 Mpa
<b>Working Temperature</b>	-29 ~ 200 °C
<b>Suitable Medium</b>	Water, Steam, Oil

#### Material

No	PART	MATERIAL
1	BODY	WCB
2	SCREEN	304 MESH
3	GASKET	GRAPHITE + 304
4	BONNET	WCB
5	PLUG	35
6	NUT	35
7	BOLT	35

#### Dimension in mm

NPS	DN	L	D	D1	D2	b	f	ZxØd
1/2"	15	135	90	60.3	35	9.6	1.6	4-Ø16
3/4"	20	140	100	69.9	43	10.5	1.6	4-Ø16
1"	25	150	110	79.4	51	11.2	1.6	4-Ø16
1.1/4"	32	180	115	88.9	64	12.8	1.6	4-Ø16
1.1/2"	40	200	125	98.4	73	14.3	1.6	4-Ø16
2"	50	220	150	120.7	92	15.9	1.6	4-Ø19
2.1/2"	65	250	180	139.7	105	17.5	1.6	4-Ø19
3"	80	280	190	152.4	127	19.1	1.6	4-Ø19
4"	100	300	230	190.5	157	23.9	1.6	8-Ø19
5"	125	350	255	215.9	186	23.9	1.6	8-Ø22
6"	150	380	280	241.3	216	25.4	1.6	8-Ø22
8"	200	477	345	298.5	270	28.6	1.6	8-Ø22
10"	250	550	405	362	324	30.2	1.6	12-Ø25.4
12"	300	610	485	431.8	381	31.8	1.6	12-Ø25.4