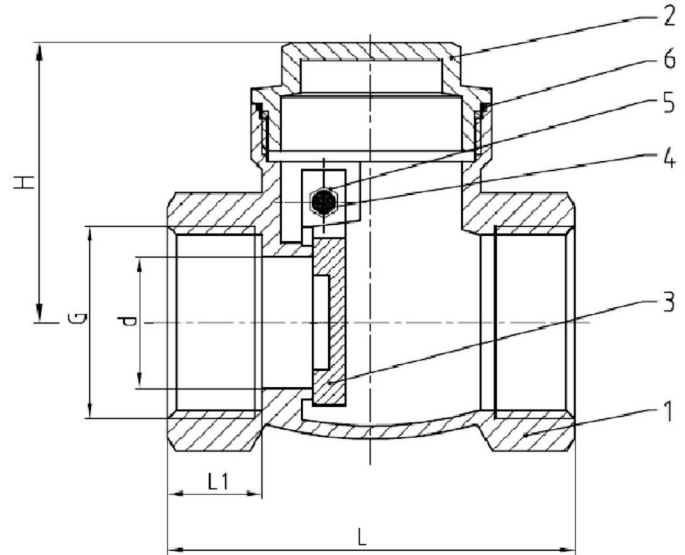


BRASS SWING CHECK VALVE SCREWED END BSPT



Specification :

Nominal Pressure : 125LB
 Shell Test Pressure : 2.4 Mpa
 Seal Test Pressure : 0.6 Mpa
 Applicable Temperature : -20 ~120 °C
 Applicable Media : Water, Oil, Gas

Technical Data

Materials

No.	Parts	Material
1	BODY	BRASS
2	BONNET	BRASS
3	DISC	BRASS
4	COPPER ROD	BRASS
5	NUT	BRASS
6	GLAND PACKING	POLYSALFONE

Dimension in mm

DN	L	L1	d	H	G
15	52.5	15.5	13.5	35.5	1/2
20	57	12.5	18	35.5	3/4
25	66	14	24	45.5	1
32	74	15.5	27	53,5	1.1/4
40	79.5	16.5	35.5	58	1.1/2
50	91.5	19	41	63	2
65	112	19	53	79	2.1/2
80	139	20	66	87	3
100	173	26	90	106	4