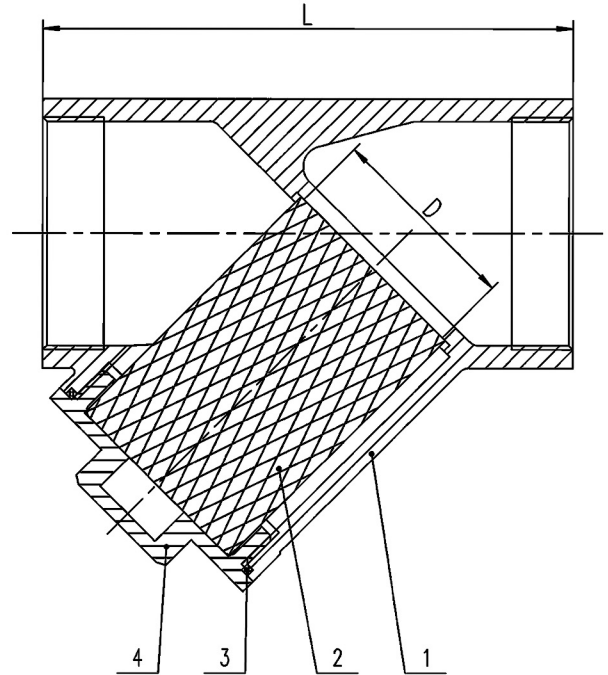


## CAST STEEL Y-STRAINER SCREWED END BSPT



**Specification :**

Medium : Water, Oil, Gas, Steam

Pressure : 800 lbs

Working Pressure : -20 ~180°C

Screen : 20 mesh counts

### Technical Data

**Materials**

No.	Parts	Material
1	BODY	WCB
2	SCREEN	304
3	GASKET	PTFE
4	BONNET	WCB

### Dimension in mm

DN	D	L
15	17	64
20	20	77
25	24	89
32	35	105
40	47	117
50	53	138