



UNIMECH GROUP, MALAYSIA



A MEMBER OF UNIMECH GROUP, MALAYSIA

## SINGLE DOOR WAFER TYPE CHECK VALVE



The compact design of dual plate wafer check valves gives it the advantages over other check valves in size, weight, cost, ease of installation and maintenance. The construction of the valves is simple and reliable. The plates function independent of each other and the stainless steel torsion springs shut the valve quickly to minimize reversal flow and prevent water hammer. It requires only a low force to open the plates, hence, minimize the pressure drop across the valve. In shut position, the plates rest on resilient seat which provides good sealing.



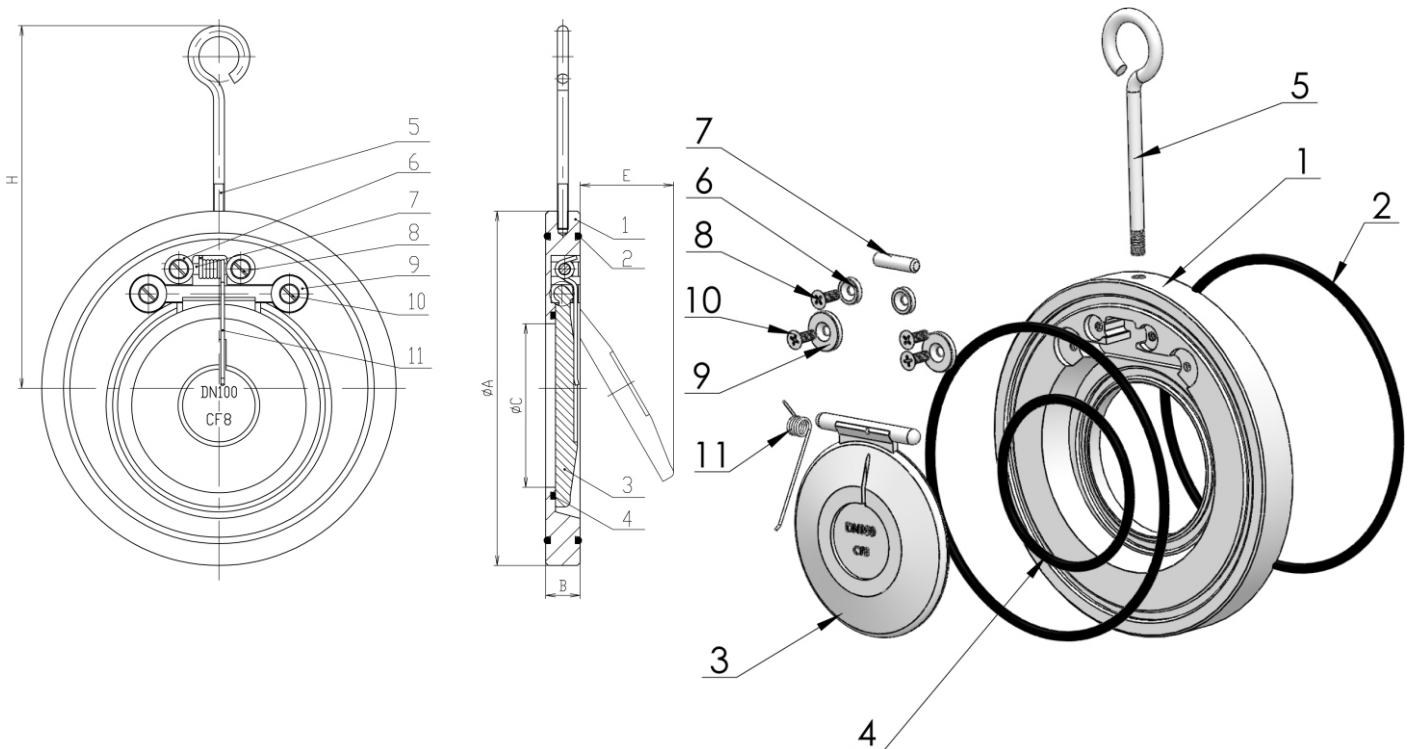
## Dimensions In mm

SIZES		PN1.0 / 1.6 Mpa			PN2.5 Mpa			PN4.0 Mpa			ØC	E
DN	In.	ØA	B	H	ØA	B	H	ØA	B	H		
50	2	107	19	153	107	19	153	107	19	153	32	34
65	2 1/2	127	19	165	127	19	165	127	19	165	40	46
80	3	142	19	172	142	19	172	142	19	172	54	57
100	4	162	19	182	168	19	185	168	19	185	70	72
125	5	192	19	198	194	19	199	194	19	199	92	88
150	6	218	19	210	224	22	213	224	22	213	112	107
200	8	273	29	238	284	29	243	290	29	246	154	148
250	10	329	29	270	340	38	277	352	38	281	192	185
300	12	378	38	293	400	51	299	417	51	307	227	216
350	14	438	44	321	457	51	332	474	51	339	266	254
400	16	489	51	350	514	51	363	546	51	378	310	300

Note : Cv = US Gallon per minutes

## Pressure Test

Working Pressure	1.0 MPa	1.6 MPa	10K	ANSI 125	ANSI 150
SIZE	2"-40"	2"-24"		2"-12"	14"-24"
Hydrostatic Test	Seal	1.1 MPa	1.76 MPa	1.54 MPa	1.52 MPa
	Body	1.5 MPa	2.4 MPa	2.1 MPa	2.1 MPa



## Working Temperature

Temperature °C	-10 ~ 80	-15 ~ 140	-20 ~ 150	-20 ~ 180
Seat Material	NBR	EPDM	VITON	PTFE

## Materials

No.	PART	QTY.	MATERIAL
1	BODY	1	WCB / CF8 / CF8M
2	O' RING	2	NBR / EPDM / VITON
3	DISC	1	WCB / CF8 / CF8M
4	O' RING	2	NBR / EPDM / VITON
5	LIFT BOLT	1	CARBON STEEL
6	COVER	2	SS 316
7	STEM	1	SS 316
8	SCREW	2	CARBON STEEL
9	COVER	2	SS 316
10	SCREW	2	CARBON STEEL
11	SPRING	1	SS 316

## Standard:

Face to Face : ISO 14313  
 Flange Connection : EN1092-1 PN10 / 16 / 25 / 40  
 Test Standard : BS EN12266-1 / API 598



The contents of this literature are for informative purposes only. Arita is not responsible for suitability or compatibility of these products in relation to system requirement. For specific requirements, consult Arita or its distributors. Arita reserves the right to change or modify product design without prior notice.