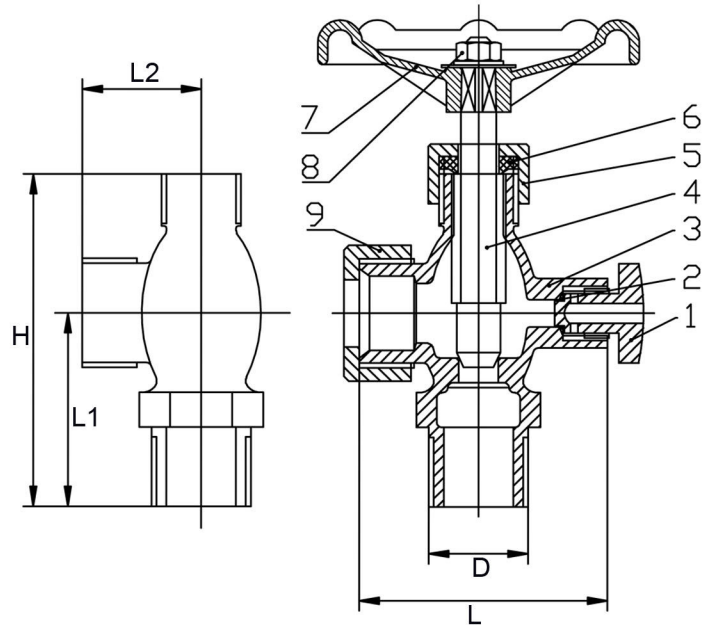


Stainless Steel Level Gauge Cock BSPT



This Level Gauge Cock is useful to check level on the boilers or tanks, the wheel determines the opening or closing of the valve according to the amount of fluid wanted on the glass.

Features:

Max. Pressure Range : 150 PSI
 Max. Temperature : 100°C
 Body Material : CF8 ; CF8M

Material

No.	Part Name	Material
1	Plug Nozzle	SS304 / 316
2	Seat Ring	EPDM
3	Body	SS304 / 316
4	Stem	SS304 / 316
5	Gland	SS304 / 316
6	Packing Nut	PTFE
7	Hand Wheel	Cast Iron
8	Cap Nut	SS304 / 316
9	Glass Nut	SS304 / 316

Dimension (mm)

Size	D	L	L1	L2	H	Wt.(kg)
1/2"	15	50	39	24	67	0.6
3/4"	20	50	39	24	67	0.6