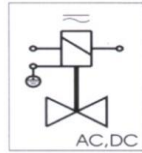
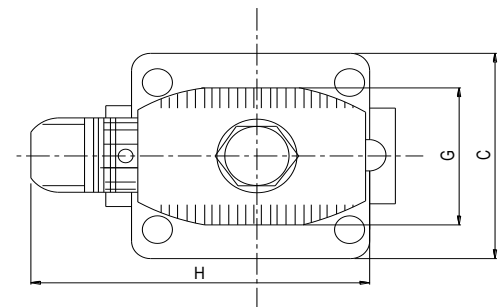
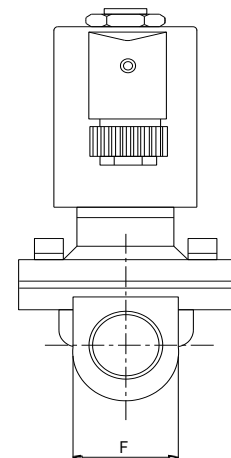
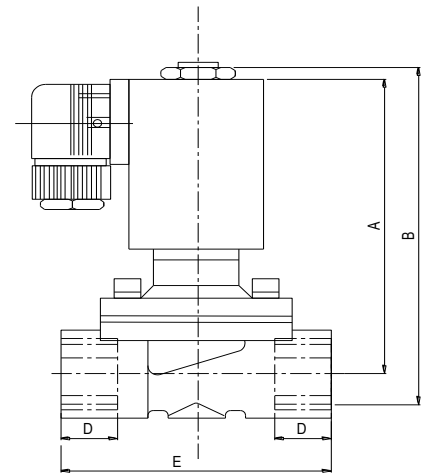


SB116-2A Series Solenoid Valve, Forced Lifting Type, 2/2 way, Normally Closed



DIMENSION



Specification:

| | | |
|---------------------|---|------------------------------|
| Body | : | Brass |
| Sealing | : | Viton |
| Pressure (M.O.P.D) | : | 0~ 1.0 MPa |
| Enclose | : | DIN coil IP65 |
| Ambient temperature | : | -10 ~ + 55°C |
| Medium temperature | : | -10 ~ + 90°C |
| Voltage | : | AC110, 240V, 50Hz DC 24V |
| Tolerance | : | +/- 10% (AC), +/-5% (DC) |
| Power Consumption | : | |
| AC | : | 14 ~ 17VA |
| DC | : | 8 ~ 20 watts |

Speciality :

- * Can work at zero pressure
- * Can be used below 90°C
- * Can be used for gas , water, oil, weak acid & Alkaline
- * Low noise : no-water hammer impact, no shaking noise, large flow
- * High reliability, long life
- * Coil model : BD-A-3
- * Thermosetting plastic encapsulating
- * Plug conforms with ISO standard
- * Ip65 protection class with plug
- * Change to ex-proof coil & suitable armature, can be used ex-proof valve

| MODEL | CONNECTION | CV VALUE | ORIFICE (MM) | DIMENSION | | | | | | | |
|----------------|------------|----------|--------------|-----------|-----|------|------|------|----|----|------|
| | | | | A | B | C | D | E | F | G | H |
| SB116-2010-10A | 3/8" | 2 | 10 | 67.3 | 82 | 32 | 14 | 52 | 26 | 36 | 75.6 |
| SB116-2015-14A | 1/2" | 8.3 | 14 | 73.2 | 89 | 40 | 16.0 | 66.3 | 26 | 36 | 75.6 |
| SB116-2020-20A | 3/4" | 4.8 | 20 | 104 | 130 | 60.3 | 18 | 83 | 41 | 45 | 88 |
| SB116-2025-20A | 1" | 4.8 | 20 | 104 | 130 | 60.3 | 18 | 83 | 41 | 45 | 88 |

* Data subject to alteration