

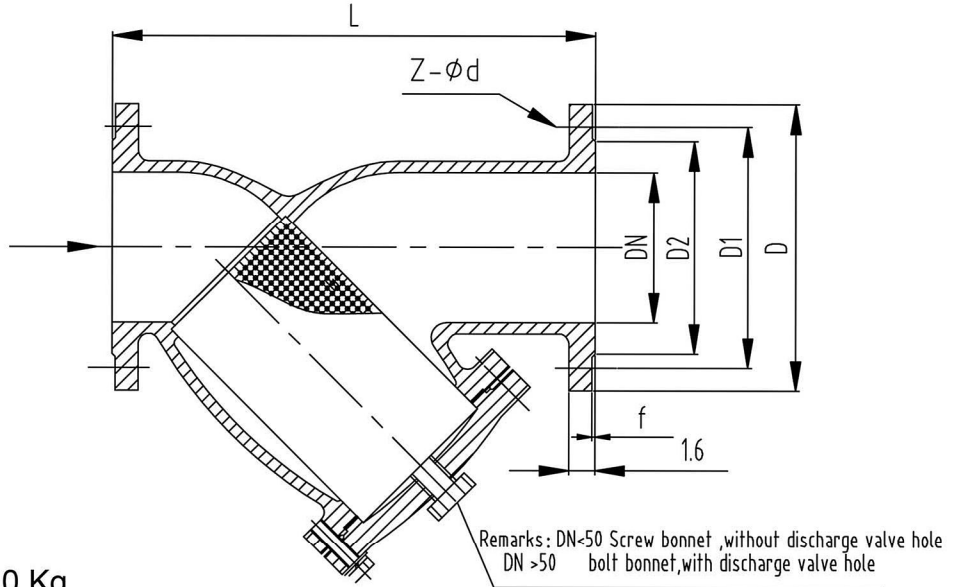


UNIMECH GROUP, MALAYSIA



A MEMBER OF UNIMECH GROUP, MALAYSIA

## STAINLESS STEEL Y-STRAINER FLANGED END JIS 10 K



### Features :

- Working Pressure (Kg/cm<sup>2</sup>) : 1 ~ 10 Kg
- Working Temperature : 0 C° ~ 150 C°
- Hydrostatic Shell Test : 2.06 MPa (21 kgf/cm<sup>2</sup>)
- Hydrostatic Seat Test : 1.51 MPa (15.4 kgf/cm<sup>2</sup>)
- Suitable Medium : Water, Oil

Note : Screen is 40-mesh stainless steel wire net reinforced with stainless steel punched plate.

### Technical Data

#### Material

No.	PART	MATERIAL
1	BODY	CF8 / CF8M
2	GAUZE FILTER	SS 304 /316
3	CAP	CF8 / CF8M

#### Dimension in mm

SIZES		L	D	D1	Dz	b	z-Ød	f
DN	in.							
15	1/2"	130	95	70	52	12	4-15	1
20	3/4"	145	100	75	58	14	4-15	1
25	1"	150	125	90	70	14	4-19	1
32	1.1/4"	180	135	100	80	16	4-19	2
40	1.1/2"	200	140	105	85	16	4-19	2
50	2"	220	155	120	100	16	4-19	2
65	2.1/2"	250	175	140	120	18	4-19	2
80	3"	280	185	150	130	18	8-19	2
100	4"	300	210	175	155	18	8-19	2
125	5"	350	250	210	185	20	8-23	2
150	6"	380	280	240	215	22	8-23	2
200	8"	480	330	290	262	22	12-23	2
250	10"	550	400	355	325	24	12-25	2
300	12"	600	445	400	368	24	16-25	2

The contents of this literature are for informative purposes only. Arita is not responsible for suitability or compatibility of these products in relation to system requirement. For specific requirements, consult Arita or its distributors. Arita reserves the right to change or modify product design without prior notice.