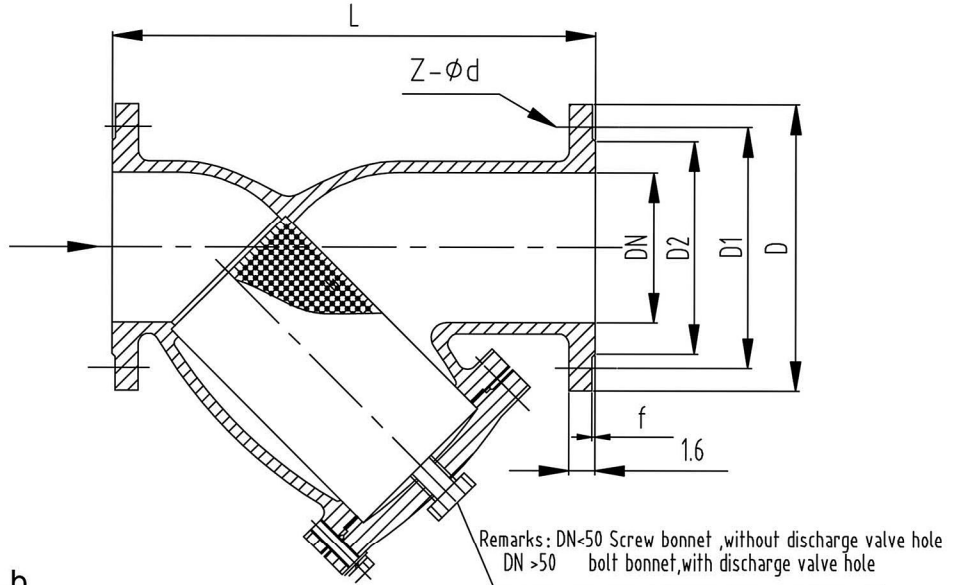


UNIMECH GROUP, MALAYSIA



A MEMBER OF UNIMECH GROUP, MALAYSIA

STAINLESS STEEL Y-STRAINER FLANGED END ANSI 150



Features :

- Working Pressure (Kg/cm²) : 150 Lb
- Working Temperature : 0 C° ~ 150 C°
- Hydrostatic Shell Test : 2.06 MPa (21 kgf/cm²)
- Hydrostatic Seat Test : 1.51 MPa (15.4 kgf/cm²)
- Suitable Medium : Water, Oil

Note : Screen is 40-mesh stainless steel wire net reinforced with stainless steel punched plate.

Technical Data

Material

No.	PART	MATERIAL
1	BODY	CF8 / CF8M
2	GAUZE FILTER	SS 304 /316
3	CAP	CF8 / CF8M

Dimension in mm

SIZES		L	D	D1	Dz	b	z-Ød	f
DN	in.							
15	1/2"	130	90	60.3	35	9.6	4-16	1.6
20	3/4"	145	100	69.9	43	10.6	4-16	1.6
25	1"	150	110	79.4	51	11.2	4-16	1.6
32	1.1/4"	180	115	88.9	64	12.8	4-16	1.6
40	1.1/2"	200	125	98.4	73	14.3	4-16	1.6
50	2"	220	150	120.7	92	15.9	4-19	1.6
65	2.1/2"	250	180	139.7	105	17.5	4-19	1.6
80	3"	280	190	152.4	127	19.1	4-19	1.6
100	4"	300	230	190.5	157	23.9	8-19	1.6
125	5"	350	255	215.9	186	23.9	8-22	1.6
150	6"	380	280	241.3	216	25.4	8-22	1.6
200	8"	480	345	298.5	270	28.6	8-22	1.6
250	10"	550	405	362	324	30.2	12-25.4	1.6
300	12"	600	485	431.8	381	31.8	12-25.4	1.6

The contents of this literature are for informative purposes only. Arita is not responsible for suitability or compatibility of these products in relation to system requirement. For specific requirements, consult Arita or its distributors. Arita reserves the right to change or modify product design without prior notice.