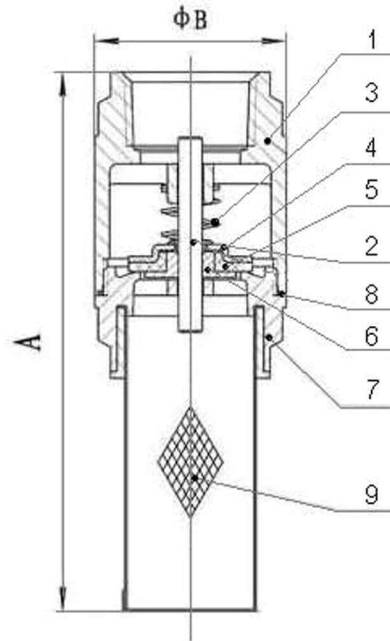


STAINLESS STEEL SPRING CHECK FOOT VALVE SCREWED END WITH FILTER

Model : ARV-114SE-F1



Dimension in mm

SIZES		A	ΦB
DN	in.		
10	3/8	91	30
15	1/2	95.5	34.5
20	3/4	113	41.5
25	1	132	48
32	1.1/4	146	60.5
40	1.1/2	166	71
50	2	188	87
65	2.1/2	228	110
80	3	262	125

Technical Data

Material

No.	PART	MATERIAL
1	BODY	CF8M
2	STEM	SUS 316
3	SPRING	SUS 316
4	PLATE	SUS 316
5	PACKING	NBR/VITON
6	DISC	SUS 316
7	BODY CAP	CF8M
8	BODY PACKING	PTFE
9	FILTER	SUS 304

Features

- * Working Pressure : 200 PSI
- * Working Temperature : < 120° C
- * Suitable Medium : Water, Oil, Gas, etc.
- * Investment Casting Body
- * Pipe thread in accordance : BSPT
- * Body Material : SUS316 / ASTM A351Gr-CF8M / DIN 1.4408