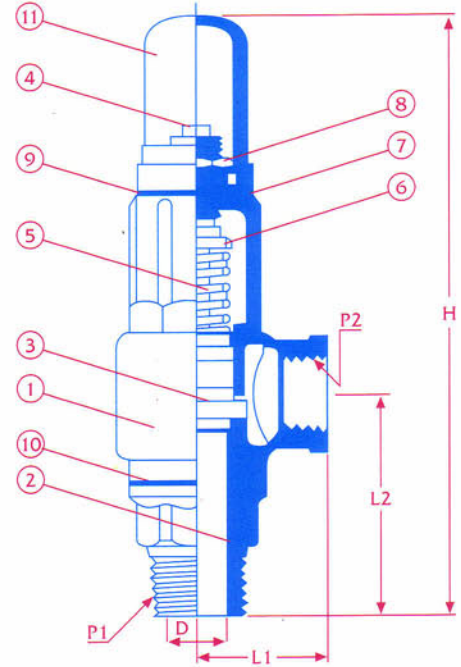


Safety Valve

Model: ASV



Materials

No.	Parts	Materials	Q'TY	Fluid Symbol
①	Valve Body	SUS316	1	Noncorrosive Gas: NG
②	Valve Seat	SUS316	1	Corrosive Gas: CG
③	Disc	SUS316	1	Steam: S
④	Stem	SUS304	1	Superheat Steam: SS
⑤	Spring	SUS304	1	Hot Water: HW
⑥	Spring Seat	SUS304	2	Noncorrosive Liquid: NL
⑦	Thread Rod	SUS304	1	Corrosive Liquid: CL
⑧	Adjust Nut	SUS304	1	
⑨	Packing	PTFE	1	
⑩	Packing	PTFE	1	
⑪	Cap	SUS316	1	

Features

Working pressure: 10 kgf/cm ²
Working temperature: -196 °C ~350 °C
Working fluid: NG, CG, S, SS, HW, NL, CL

Dimensions

mm

NOMINAL SIZE			L1	L2	H
P1	D	P2			
1/2"	15	1"	42.5	68.5	186.0
3/4"	19	1"	42.5	69.0	186.5
1"	25	1"	42.5	74.0	191.5