



UNIMECH GROUP, MALAYSIA



A MEMBER OF UNIMECH GROUP, MALAYSIA

SAFETY VALVE SCREWED END WITHOUT LEVER (150PSI & 300PSI)



The stainless steel body components are investment cast to give fine finishing and structure strength. The disc is freely pivoted by the spindle and its linear movement is closely guided to ensure correct alignment with the seat for tight sealing. The displacement of disc is designed to provide maximum discharge capability. The valves are suitable for gas, steam and liquid application. Every valve is set at designed working pressure and tested in the factory before packing.

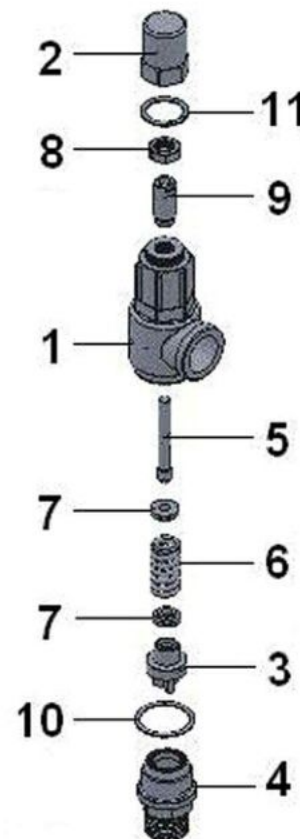
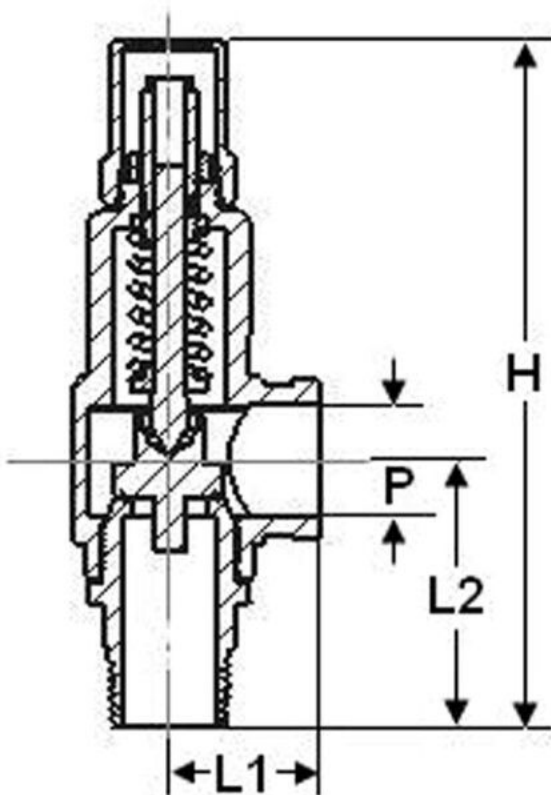
Dimension in mm (Screwed End)

SIZES		P	L1	L2	H	WT. (KG)
DN	in.					
15	1/2	1"	42	67	181	1.14
20	3/4	1"	42	68	182	1.16
25	1	1"	42	73	187	1.18
32	1.1/4	2"	68	102	265	4.40
40	1.1/2	2"	68	102	265	4.37
50	2	2"	68	101	263	4.39

Technical Data

Material

No.	PART	QTY.	MATERIAL
1	BODY	1	SUS 316
2	CAP	1	SUS 316
3	DISC	1	SUS 316
4	SEAT	1	SUS 316
5	SPINDLE	1	SUS 304
6	SPRING	1	SUS 304
7	SPRING SEAT	2	SUS 304
8	ADJUSTABLE NUT	1	SUS 304
9	THREAD ROD	1	SUS 304
10	PACKING	1	PTFE
11	PACKING	1	PTFE



Design Standard: BS 21 (BSPT) - Screwed Ends

Features	Type 150 psi	Type 300 psi
Working Pressure	150 psi (10 kgf/cm ²)	300 psi (21kgf/cm ²)
Working Temperature	-20°C ~ 260°C	
Working Fluid	Gas, Steam & Liquid	



The contents of this literature are for informative purposes only. Arita is not responsible for suitability or compatibility of these products in relation to system requirement. For specific requirements, consult Arita or its distributors. Arita reserves the right to change or modify product design without prior notice.