

OTB/144-XXX



UNIMECH GROUP, MALAYSIA



A MEMBER OF UNIMECH GROUP, MALAYSIA

1000 W.O.G. REDUCE BORE ONE-PIECE BALL VALVE SCREWED END WITH BUTTERFLY HANDLE

ISO 9001 : 2000



ARV-100SE-BH-1PC

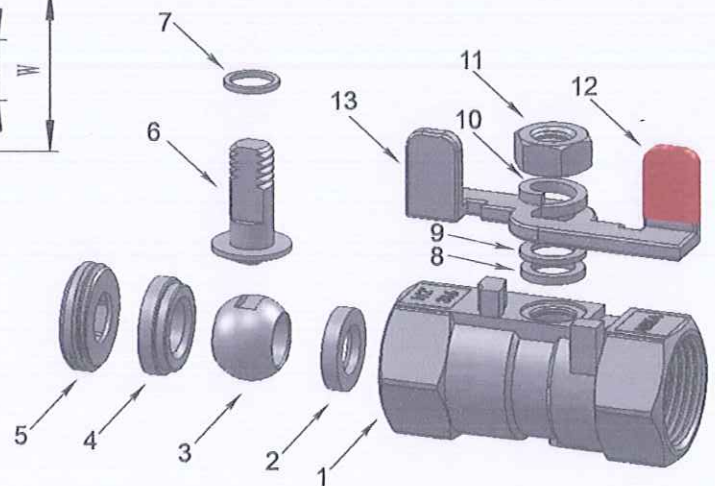
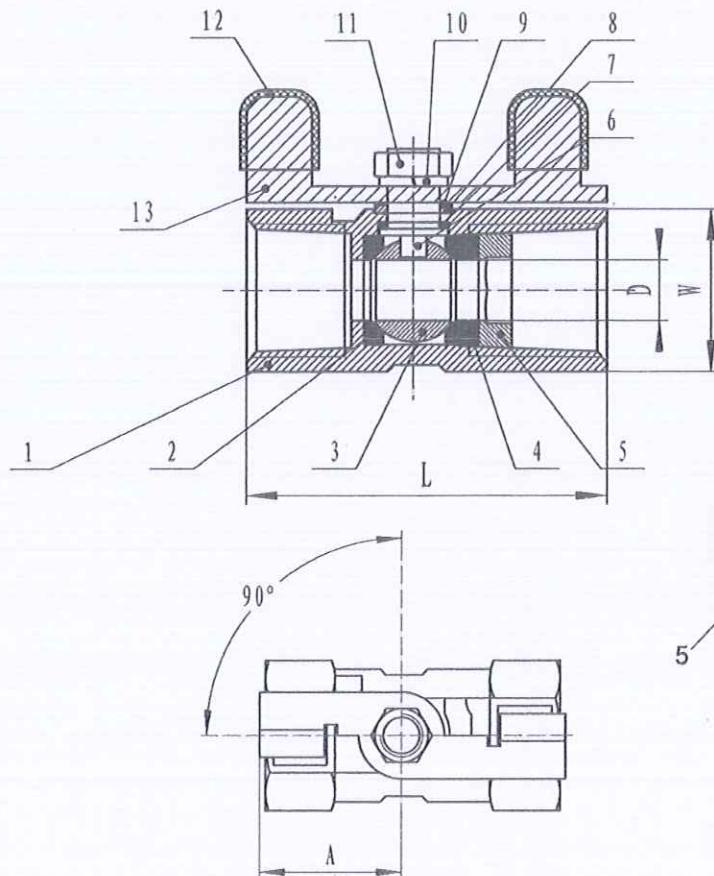
The stainless steel body is a one piece compact design and is investment cast to provide high quality finishing and structural strength. It is also less prone to leak owing to its one piece body. The ball and seats are of high finishing quality. This contributes to good sealing and low operating torque. This product is suitable for general and industrial applications.

Dimension in mm

SIZES		A	L	W	D	WT. (KG)	Cv	Torque (Nm)
DN	in.							
6	1/4	21.05	39	17	5	0.07	3.7	1.2
10	3/8	21.45	44	21	7	0.10	4.0	1.2
15	1/2	28.55	55	24.5	9.2	0.15	4.5	1.3
20	3/4	28.55	59	32	12.5	0.26	9.0	1.2
25	1	35.5	69	38	15	0.41	16.0	3.9

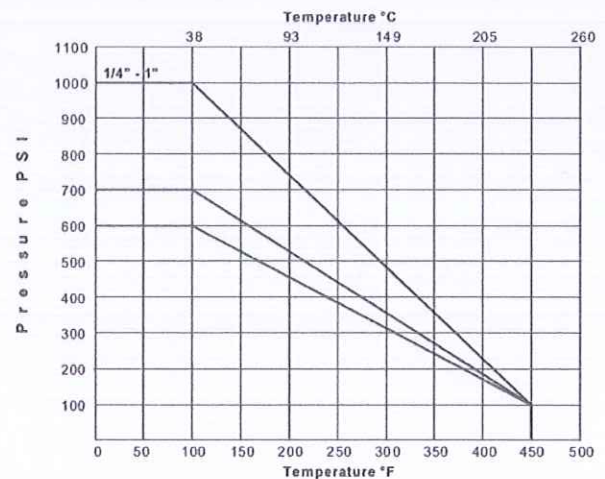
Material

No.	PART	QTY.	MATERIAL
1	BODY	1	CF8 / CF8M
2	SEAT (a)	1	PTFE+15%CF
3	BALL	1	SUS 304 / 316
4	SEAT (b)	1	PTFE+15%CF
5	BODY INSERT	1	CF8 / CF8M
6	STEM	1	SUS 304
7	THRUST WASHER	1	PTFE
8	STEM PACKING	1	PTFE
9	SPACE WASHER	2	SUS 304
10	SPRING WASHER	1	SUS 304
11	HANDLE NUT	1	SUS 304
12	PLASTIC COVER	2	PLASTIC
13	HANDLE	1	SUS 304 / 316



Features

- * Pipe thread in accordance : NPT, BSP, BSPT, DIN259, DIN299, ISO 228 CLASS A
- * Screwed end
- * Reduce Bore
- * Butterfly Handle
- * Investment Casting Body
- * 1000psi (69 Bar) W.O.G. / PN63
- * Wall Thickness : ASME B16.34
- * Material : SS304 / ATSM A351Gr-CF8 / DIN 1.4308
SS316 / ASTM A351Gr-CF8M / DIN 1.4408



A MEMBER OF UNIMECH GROUP, MALAYSIA

The contents of this literature are for informative purposes only. Arita is not responsible for suitability or compatibility of these products in relation to system requirement. For specific requirements, consult Arita or its distributors. Arita reserves the right to change or modify product design without prior notice.