

UNIJIN® SANITARY DIAPHRAGM SEALS PRESSURE GAUGE

Model : P752 + P252

P752 model is designed to be used in sanitary application, hot or viscous pressure medium in food, chemical, bio-pharmaceutical and dairy industries. The process connection consists in diaphragm seals, integrally mounted on the fully stainless steel pressure gauge.



Standard Specification

Pressure Gauge

Model

P252 / P258

Dial Size

63, 100mm

Scale Range

-76cmHg ~ 0 to 0 ~ 40kgf/cm²

Accuracy

63mm : ± 1.6% of Full Scale

100mm : ± 1.0% of Full Scale

Steady Pressure

75% of Full Scale

Working Temperature

-20 ~ 150 °C

Oil Filling

Food Grade Oil

Diaphragm Seals Unit

Body

316SS

Diaphragm

316LSS

Process Connection Mounting

1½" Sanitary Seal

2" Sanitary Seal

Instrument Connection

1/2" BSP (F)

Pressure Gauge Ordering Information

Model

P752 + P252

Pressure Gauge Model

P252 (Dry) / P258 (Oil Filled)

Mounting Type

A: Direct bottom

G: Lower back (100mm only)

Dial Size

63, 100mm

Scale Range

Process Connection Mounting

1½" Sanitary Seal

Instrument Connection

1/2" BSP (F)

Options

Oil Filled

Example of Order

Model

P752 + P252

Mounting Type

(A)

Dial Size

100mm

Range

0~ 7 kgf/cm²

Process Connection

Mounting

1½" Sanitary Seal

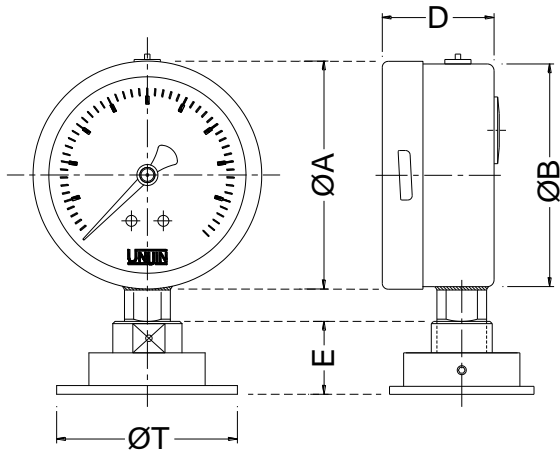
Instrument

Connection

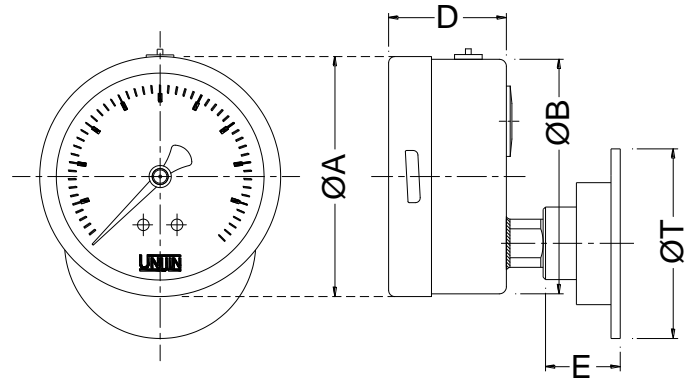
1/2" BSP (F)

Basic Dimensions

CODE A



CODE G



Tri-Clamp : 1½" B

Unit : mm

	$\varnothing 63$	$\varnothing 100$
A	64.0	100.6
B	62.0	98.6
D	32.7	49.5
E	42.3	42.3
T	50.5	50.5

Tri-Clamp : 2" B

Unit : mm

	$\varnothing 63$	$\varnothing 100$
A	64.0	100.6
B	62.0	98.6
D	32.7	49.5
E	36.2	36.2
T	64.0	64.0