

UNIJIN® DIAPHRAGM SEAL TYPE PRESSURE GAUGE

Model : P700 Series

Diaphragm Seals Type Pressure Gauge is designed to isolate the sensing element of pressure gauges from the process liquid which may be corrosive, viscous, sedimentous, and/or with high temperature. The diaphragm welded to the upper body and leak proof tested, ensure separation of filling fluid from process medium. These models are usually used for pharmaceutical, chemical, petrochemical, water treatment, paper and food process industries.



Standard Specification

Pressure Gauge Model

P110, P252, P253, P258, P259 and P510 Series

Dial Size

63, 100, 150mm

Degree Protection

Refer to gauge model

Scale Range

-76cmHg ~ 0 to 0 ~ 20 kgf/cm² and
0 ~ 1 kgf/cm² to 0 ~ 350 kgf/cm²

Diaphragm Seals Unit

Upper Flange : 304SS

Diaphragm : 316LSS

Diaphragm Gasket : PTFE

Under Flange (Process Side) : 316SS and 316SS+PTFE Coated

Working Pressure : Refer to gauge scale

Ambient Temperature : -20 ~ 60°C

Process Temperature : -20 ~ 200°C (Standard Fill Fluids)

Options

PTFE Lining for Upper Flange

Micro Adjustable Pointer

Glycerin / Silicon Oil Filled

Capillary Length

Pressure Gauge Ordering Information

Model

P700 : Threaded Process Connection

P711 : Screwed Process Connection

P721 : "I" Type Flange Process Connection

P731 : Flange Type Process Connection

P702 : Threaded Process Connection with Remote Capillary

P712 : Direct Screwed Process Connection with Remote Capillary

P722 : "I" Type Flange Process Connection with Remote Capillary

P732 : Flange Type Process Connection with Remote Capillary

Gauge Model

P110 / P252 / P253 / P258 / P259 / P510

Dial Size

63, 100, 150mm

Scale Range

Connection Type

1/2" NPT

Options

Example of Order

Model

P700

Gauge Model

P252

Dial Size

100mm

Range

0~ 250 kgf/cm²

Connection

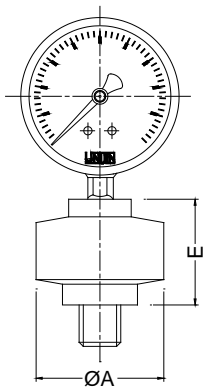
1/2" NPT

Options

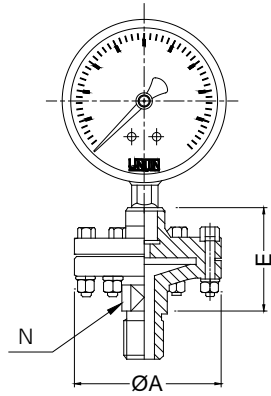
Silicon Oil Filled

Basic Dimensions

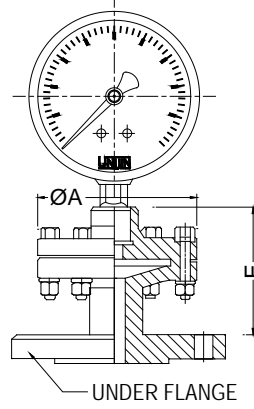
CODE P700



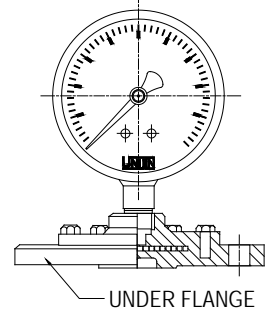
CODE P711



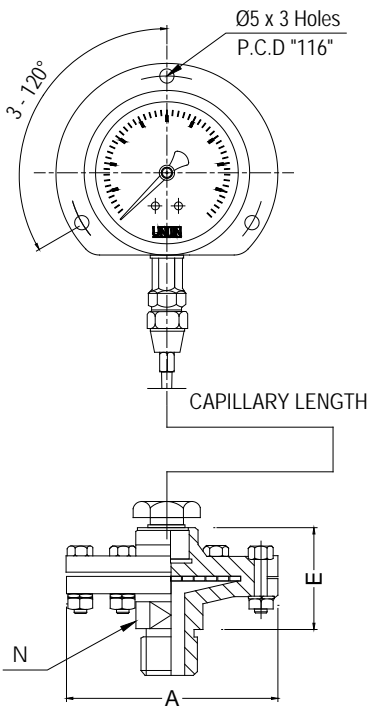
CODE P721



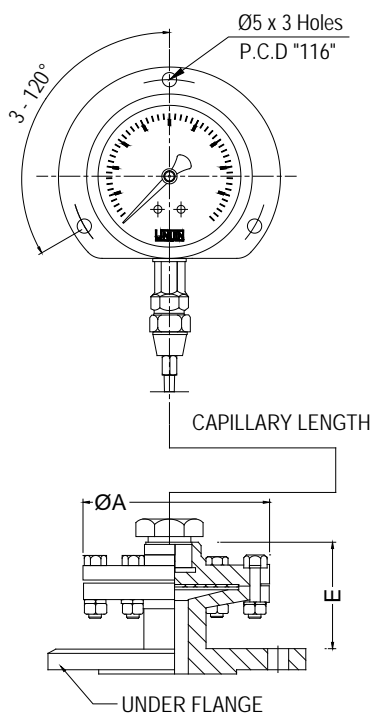
CODE P731



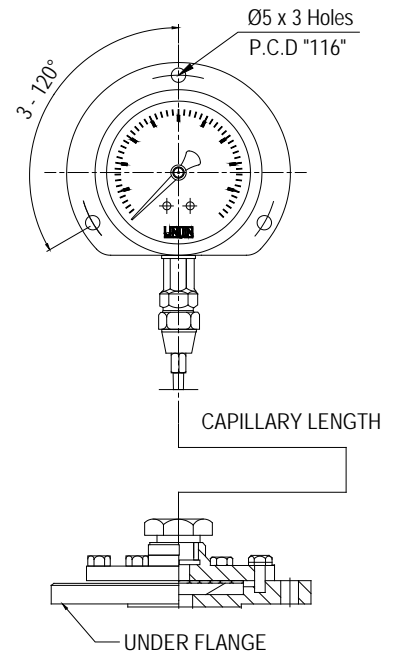
CODE P712



CODE P722



CODE P732



Unit : mm

| Dial Size | Code | A | E | N |
|-----------|------------|------|------|------|
| 100 | P700 | 61.8 | 52.5 | |
| 100 | P711, P712 | 90.0 | 53.0 | 24.0 |
| 100 | P721, P722 | 90.0 | 83.0 | |