

# UNIJIN® LOW PRESSURE GAUGE

## Model : P422

P422 model is designed for corrosive environment which do not have high viscosity or do not crystallize. This model is designed to measure low pressure, compound and vacuum for gaseous and dry air media. P422 model is complete with external zero adjustment screw inside the window for easy re-calibration when necessary.



### Standard Specification

<p><b>Dial Size</b> 100mm (4")</p> <p><b>Scale Range (mbar, mmH<sub>2</sub>O)</b> 0 ~ 500 mmH<sub>2</sub>O</p> <p><b>Blow protection</b> Back, Rubber Disc</p> <p><b>Degree Protection</b> IP 65</p> <p><b>Working Pressure</b> 75% of Full Scale</p> <p><b>Zero Adjustment</b> Inside window</p>	<p><b>Accuracy</b> ± 1.6% of Full Scale</p> <p><b>Working Temperature</b> Ambient : -20 ~ 60°C Process : -20 ~ 80°C</p> <p><b>Material</b> Case &amp; Cover : 304SS Window : Tempered Glass Movement : 304SS Element : 316SS Connection : 316SS</p>
---	---

### Pressure Gauge Ordering Information

**Model**  
P422

**Mounting Type**  
A: Direct bottom connection

**Dial Size**  
100mm

**Scale Range**  
refer table

**Connection Type**  
3/8" BSPT, NPT, BSP  
1/2" BSPT, NPT, BSP

#### Example of Order

**Model**  
P422

**Mounting Type**  
(A)

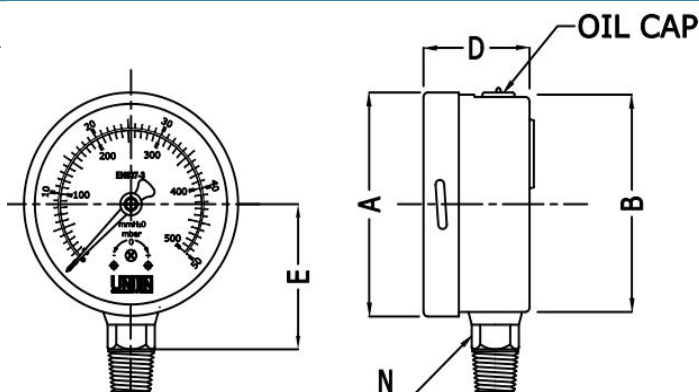
**Dial Size**  
100mm

**Scale Range**  
0 ~ 50mbar

**Connection**  
1/2" BSPT

### Basic Dimensions

CODE A



#### A: Direct bottom connection

Unit : mm

	ø 100
A	100.6
B	98.5
D	49.5
E	65.0
N	22.0