

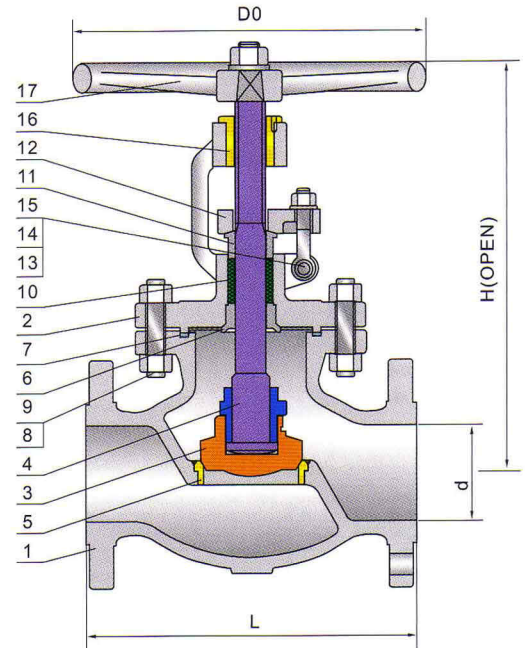
CAST STEEL GLOBE VALVE CLASS 300 FLANGED END

Materials of parts

NO	Part Name	ASTM Material		
		Carbon Steel	1 1/4Cr-1/2Mo	Carbon Steel
1	Body	A216-WCB	A217-WC6	A352-LCB
2	Bonnet	A216-WCB	A217-WC6	A352-LCB
3	Disc	A105+CR13	A182-F11+HF	A3510-LF2+CR13
4	Stem	A182-F6a	CR-MO-V	A182-F6a
5	Seat Ring	A105+CR13	A182-F11+HF	A350-LF2+CR13
6	Stem BackSeat	A276-420	A276-304	A276-420
7	Bonnet Gasket	Spiral Wound (Graphite+304)		
8	Bonnet Stud	A193-B7	A193-B16	A320-L7
9	Bonnet Stud Nut	A194-2H	A194-7	A194-4
10	Packing	Graphite		
11	Gland	A276-420	A276-304	A276-420
12	Gland Flange	A216-WCB	A217-WC6	A352-LCB
13	Eyebolt Pin	Carbon Steel	A276-420	Carbon Steel
14	Eyebolt	Carbon Steel	A193-B7	Carbon Steel
15	Eyebolt Nut	Carbon Steel	A194-2H	Carbon Steel
16	Yokesleeve	Aluminum-Bronze ¹⁾		
17	Handwheel	Malleable Iron		

Note: 1), Ductile Ni-Resist optional

2), Disc and seat ring may either be solid facing material or a base material equal to or better than the body/bonnet material with facing as shown.

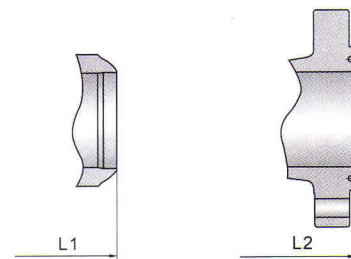


Applicable standards:

- STEEL GLOBE VALVES, BS1873/API600
- STEEL VALVES, ASME B16.34
- FACE TO FACE, ASME B16.10
- END FLANGES, ASME B16.5
- BUTTWELDING ENDS, ASME B16.25
- INSPECTION AND TEST, API 598

Design description:

- STRAIGHT PATTERN BODY DESIGN
- OS & Y, OUTSIDE SCREW AND YOKE
- BB, BOLTED BONNET
- YOKE INTEGRAL WITH BONNET
- RISING STEM AND HANDWHEEL
- LOOSE DISC, CHOICE OF PLUG OR BALL
- RENEWABLE SEAT RING
- IMPACT HANDWHEEL FOR 10" & ABOVE
- HORIZONTAL SERVICE
- FLANGED OR BUTTWELDING ENDS
- AVAILABLE WITH BG OPERATOR



Dimensions data

NPS	2	2 1/2	3	4	6	8	10	12	14	16	18	20	24	in
DN	50	65	80	100	150	200	250	300	350	400	450	500	600	mm

ANSI Class 300

L/L1 (RF/BW)	10.50	11.50	12.50	14.00	17.50	22.00	24.50	28.00	32.99	32.99	38.46	40.00	52.99	in
	267	292	318	356	444	559	622	711	838	863	977	1016	1346	mm
L2 (RTJ)	11.12	12.12	13.12	14.62	18.12	22.62	25.12	28.62	-	-	-	-	-	in
	282	308	333	371	460	575	638	727	-	-	-	-	-	mm
H (OPEN)	16.75	19.00	19.88	22.50	25.25	33.25	35.50	38.62	-	53.97	57.99	61.96	70.98	in
	425	485	505	570	640	845	900	980	-	1371	1473	1574	1803	mm
(d)	50	63	76	100	150	200	250	300	336	387	431	482	584	mm
D0	8	10	11	13	16	18	20	24	33.85	24.01	24.01	28.34	28.34	in
	200	240	280	320	400	450	500	600	860	610	610	720	720	mm
WT (kg)	25	32	38	56	96	150	360	550	876	1200	1600	2100	3150	RF
	20	22	27	41	75	117	310	492	-	-	-	-	-	BW

DISTRIBUTED BY

WISMA UNIMECH

4934, JALAN CHAIN FERRY,
12100 BUTTERWORTH, MALAYSIA.
TEL : 04-332 8823 FAX : 04-3325176
WEBSITE : www.unimechgroup.com
Email : jl.ilm@unimechgroup.com