

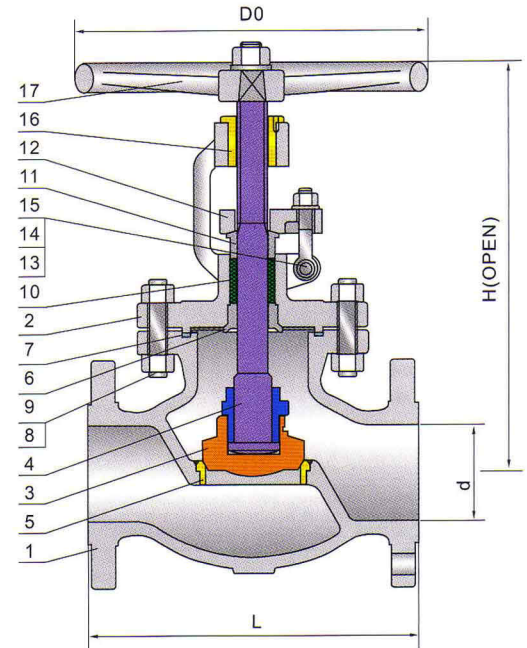
CAST STEEL GLOBE VALVE CLASS 150 FLANGED END

Materials of parts

| NO | Part Name | ASTM Material | | |
|----|-----------------|-------------------------------|--------------------------------------|----------------|
| | | Carbon Steel | 1 $\frac{1}{4}$ Cr- $\frac{1}{2}$ Mo | Carbon Steel |
| 1 | Body | A216-WCB | A217-WC6 | A352-LCB |
| 2 | Bonnet | A216-WCB | A217-WC6 | A352-LCB |
| 3 | Disc | A105+CR13 | A182-F11+HF | A3510-LF2+CR13 |
| 4 | Stem | A182-F6a | CR-MO-V | A182-F6a |
| 5 | Seat Ring | A105+CR13 | A182-F11+HF | A350-LF2+CR13 |
| 6 | Stem BackSeat | A276-420 | A276-304 | A276-420 |
| 7 | Bonnet Gasket | Spiral Wound (Graphite+304) | | |
| 8 | Bonnet Stud | A193-B7 | A193-B16 | A320-L7 |
| 9 | Bonnet Stud Nut | A194-2H | A194-7 | A194-4 |
| 10 | Packing | Graphite | | |
| 11 | Gland | A276-420 | A276-304 | A276-420 |
| 12 | Gland Flange | A216-WCB | A217-WC6 | A352-LCB |
| 13 | Eyebolt Pin | Carbon Steel | A276-420 | Carbon Steel |
| 14 | Eyebolt | Carbon Steel | A193-B7 | Carbon Steel |
| 15 | Eyebolt Nut | Carbon Steel | A194-2H | Carbon Steel |
| 16 | Yokesleeve | Aluminum-Bronze ¹⁾ | | |
| 17 | Handwheel | Malleable Iron | | |

Note: 1), Ductile Ni-Resist optional

2), Disc and seat ring may either be solid facing material or a base material equal to or better than the body/bonnet material with facing as shown.

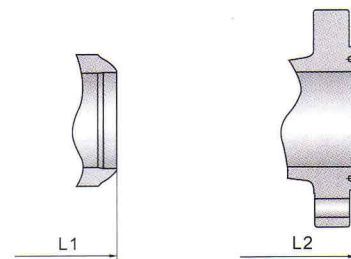


Applicable standards:

- STEEL GLOBE VALVES, BS1873/API600
- STEEL VALVES, ASME B16.34
- FACE TO FACE, ASME B16.10
- END FLANGES, ASME B16.5
- BUTTWELDING ENDS, ASME B16.25
- INSPECTION AND TEST, API 598

Design description:

- STRAIGHT PATTERN BODY DESIGN
- OS & Y, OUTSIDE SCREW AND YOKE
- BB, BOLTED BONNET
- YOKE INTEGRAL WITH BONNET
- RISING STEM AND HANDWHEEL
- LOOSE DISC, CHOICE OF PLUG OR BALL
- RENEWABLE SEAT RING
- IMPACT HANDWHEEL FOR 10" & ABOVE
- HORIZONTAL SERVICE
- FLANGED OR BUTTWELDING ENDS
- AVAILABLE WITH BG OPERATOR



Dimensions data

| NPS | 2 | 2 $\frac{1}{2}$ | 3 | 4 | 6 | 8 | 10 | 12 | 14 | 16 | 18 | 20 | 24 | in |
|-----|----|-----------------|----|-----|-----|-----|-----|-----|-----|-----|-----|-----|-----|----|
| DN | 50 | 65 | 80 | 100 | 150 | 200 | 250 | 300 | 350 | 400 | 450 | 500 | 600 | mm |

ANSI Class 150

| | | | | | | | | | | | | | | |
|--------------|-------|-------|-------|-------|-------|-------|-------|-------|-------|-------|-------|-------|-------|----|
| L/L1 (RF/BW) | 8.00 | 8.50 | 9.50 | 11.50 | 16.00 | 19.50 | 24.50 | 27.50 | 31.00 | 36.00 | 38.46 | 38.46 | 50.98 | in |
| | 203 | 216 | 241 | 292 | 406 | 495 | 622 | 698 | 787 | 914 | 977 | 977 | 1295 | mm |
| L2 (RTJ) | 8.00 | 8.50 | 9.50 | 11.50 | 16.00 | 19.50 | 24.50 | 27.50 | 31.00 | 36.00 | - | - | - | in |
| | 203 | 216 | 241 | 292 | 406 | 495 | 622 | 698 | 787 | 914 | - | - | - | mm |
| H (OPEN) | 15.00 | 21.00 | 17.50 | 20.25 | 22.00 | 24.25 | 32.00 | 35.88 | 48.38 | 57.00 | 41.96 | 43.97 | 50.98 | in |
| | 380 | 535 | 445 | 515 | 560 | 615 | 815 | 910 | 1230 | 1450 | 1066 | 1117 | 1295 | mm |
| (d) | 50 | 63 | 76 | 100 | 150 | 200 | 250 | 300 | 360 | 387 | 438 | 488 | 590 | mm |
| D0 | 7 | 10 | 11 | 11 | 13 | 13 | 16 | 18 | 20 | 24 | 28.34 | 28.34 | 33.46 | in |
| | 180 | 240 | 280 | 280 | 320 | 320 | 400 | 450 | 500 | 600 | 720 | 720 | 850 | mm |
| WT (kg) | 18 | 30 | 41 | 64 | 86 | 110 | 280 | 380 | 510 | 740 | 1150 | 1650 | 2200 | RF |
| | 14 | 22 | 33 | 43 | 72 | 88 | 245 | 345 | 450 | 665 | - | - | - | BW |

DISTRIBUTED BY

WISMA UNIMECH

4934, JALAN CHAIN FERRY,
12100 BUTTERWORTH, MALAYSIA.
TEL : 04-332 8823 FAX : 04-3325176
WEBSITE : www.unimechgroup.com
Email : jl.ilm@unimechgroup.com