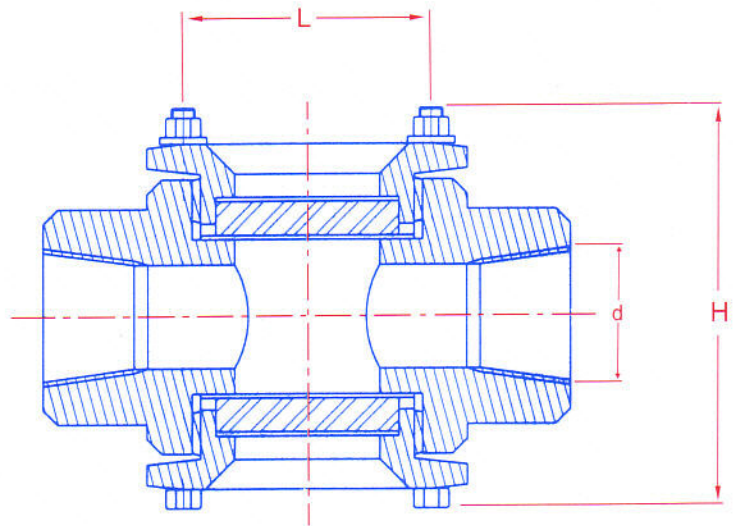


10K Iron Sight Glass Screwed Ends with Flapper

Model : CSG-S-10K(F)



Materials

Parts	JIS Materials
Body	FC200
Cap	FC200
Glass	Tempered Glass
Flapper	SUS 304
Gasket	Compressed Asbestos Fibre

Features

End connection : Threaded ends to BSPT (BS 21) or NPT (ANSI B.1.20.1)
Face-to -Face or End-to-End : ARITA Standard
Wall thickness : ARITA Standard
Max working temperature : 110°C (230°F)
Pressure rating : 10kgf / cm ²

Dimensions

SIZE	inch	½	¾	1	1¼	1½	2
	mm	15	20	25	32	40	50
d		15	20	25	32	40	50
L		93	98	118	137	142	156
H		65	76	86	107	117	138
Weight (kg)		0.780	0.930	1.540	2.870	3.140	4.270