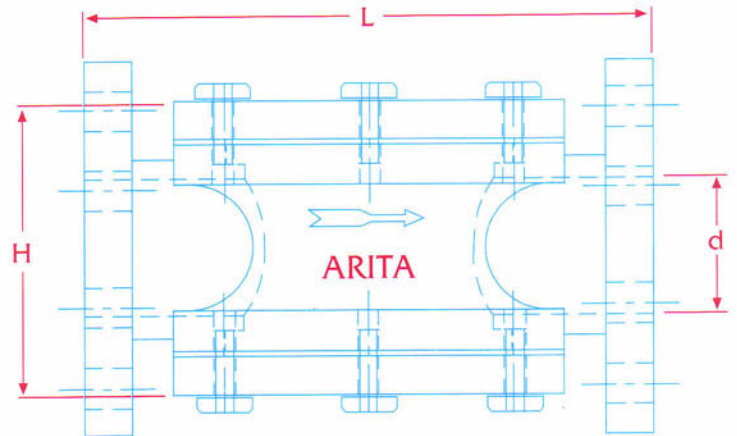


JIS 10K Iron Sight Glass

Model: CSG-F-10K



Materials

Parts	JIS Materials
Body	FC200
Cap	FC200
Glass	Tempered Glass
Gasket	Asbestos-free

Features

120°C Non-shock water	1.37 MPa (14kgf/cm ²)
120°C Water, oil, gas	0.98 MPa (10 kgf/cm ²)
Saturated steam	0.69 MPa (7 kgf/cm ²)
Hydrostatic shell test	2.06 MPa (21kgf/cm ²)
Hydrostatic seat test	1.51 MPa (15.4kgf/cm ²)

Flanged ends	F - F dimension	Wall thickness
JIS B2210	ARITA Standard	ARITA Standard

Dimensions

SIZE	inch	2	2 ¹ / ₂	3	4
	mm	50	65	80	100
d		50.0	65.0	80.0	100.0
L		221.0	271.0	271.0	316.0
H		117.0	136.0	155.0	188.5
Weight (kg)		9.2	18.0	19.2	28.5

mm