

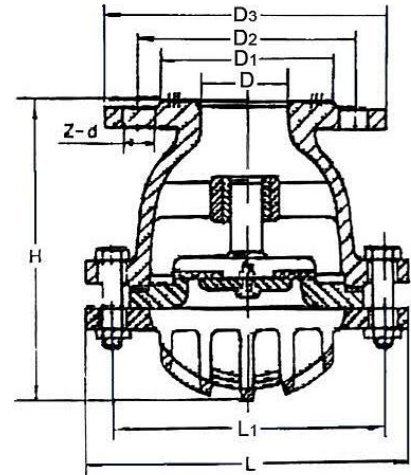


UNIMECH GROUP, MALAYSIA



A MEMBER OF UNIMECH GROUP, MALAYSIA

## Cast Iron Foot Valve Flanged End JIS 10K



### Scope of Application

Nominal Pressure PN	6 bar
Strength Pressure	9 bar
Seal Test Pressure	10 bar
Suitable Temperature	< 60°C
Suitable Medium	water

### Application :

The valve is fitted at the end of the pipe of water pump, which can avoid adverse current and prevent foreign substance from being drawn into pump. It is suitable for use on water.

### Dimension

mm

Nominal Diameter DN	L	L1	H	D	D1	D2	D3	Z-d	WT kg
1.5"	154	128	150	40	80	105	130	4-Φ14	7
2"	154	128	150	50	90	120	140	4-Φ14	7
2.5"	170	146	170	65	110	140	160	4-Φ14	8
3"	198	174	210	80	125	150	185	4-Φ18	10
4"	250	222	240	100	145	175	205	4-Φ18	17
5"	300	270	280	125	170	210	235	8-Φ18	25
6"	331	302	346	150	190	240	260	8-Φ18	32.5
8"	426	394	395	200	255	290	315	8-Φ18	53.5
10"	480	445	445	250	310	355	370	12-Φ18	78
12"	548	506	510	300	362	400	435	12-Φ23	110