



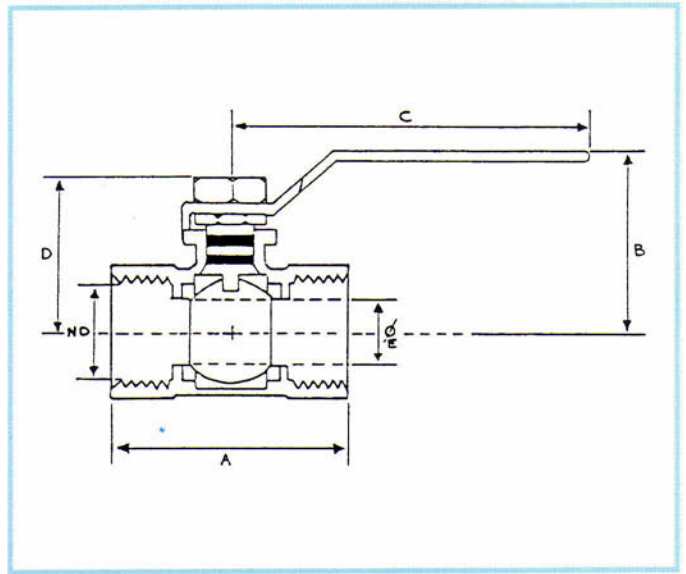
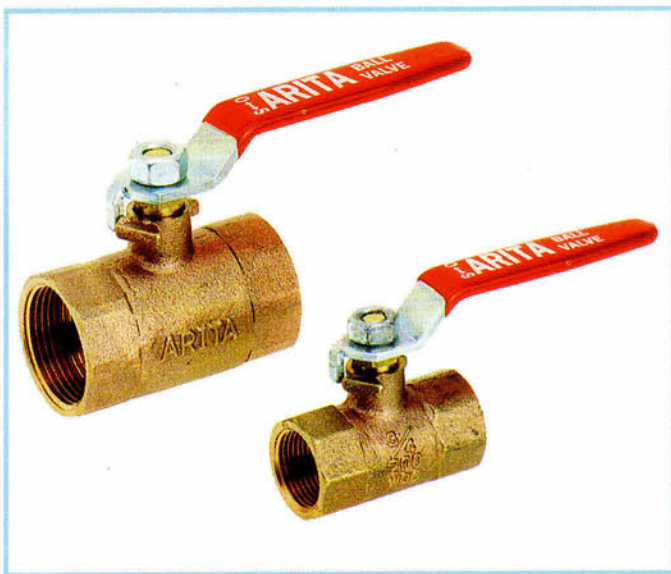
ARITA

BRASS BALL VALVE

MODEL: AR 200

REDUCE BORE

200 p.s.i. W.O.G.



■ Dimensions (MM)

| ND | A | B | C | D | E | Weight (Kg) |
|--------|-----|-----|-----|-----|----|-------------|
| 1/2" | 50 | 46 | 90 | 39 | 12 | 0.20 |
| 3/4" | 62 | 51 | 103 | 44 | 15 | 0.40 |
| 1" | 66 | 54 | 103 | 47 | 19 | 0.50 |
| 1 1/4" | 80 | 64 | 118 | 59 | 25 | 0.80 |
| 1 1/2" | 88 | 77 | 135 | 68 | 32 | 1.10 |
| 2" | 98 | 82 | 135 | 72 | 38 | 1.50 |
| 2 1/2" | 115 | 95 | 140 | 89 | 48 | 2.60 |
| 3" | 150 | 116 | 241 | 108 | 62 | 5.00 |
| 4" | 170 | 125 | 241 | 120 | 80 | 6.70 |

■ Materials

| Parts | Material |
|---------------|----------------------------|
| Body | Brass |
| Cap | Brass |
| Stem | Brass |
| Ball | Brass (hard chrome plated) |
| Seat | PTFE |
| Gland Packing | «0» ring FPM |
| Handle | Carbon steel (vinyl grip) |



ARITA VALVE MFG. (M) SDN. BHD.

OFFICE:

WISMA UNIMECH

4934, JALAN CHAIN FERRY, 12100 BUTTERWORTH.

TEL: 04-3328823/22/21, 3337958, 3235823,3235328